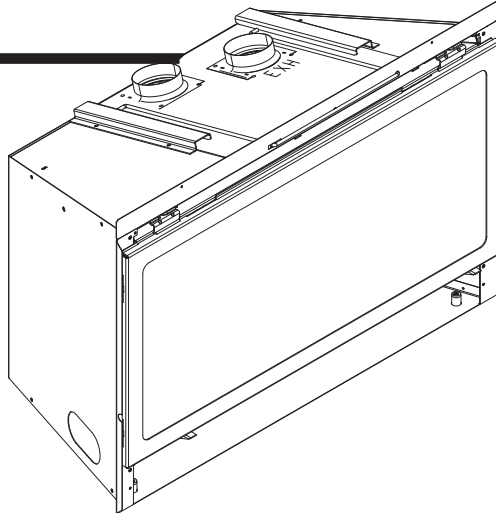


Models:
SUPREME-N-I30AU
SUPREME-P-I30AU



SAI Global
Gas Safety
Certified

Ref No GSCS20181

NOTICE



DO NOT DISCARD THIS MANUAL

- Important operating and maintenance instructions included.
- Read, understand and follow these instructions for safe installation and operation.
- Leave this manual with party responsible for use and operation.

**DO NOT
DISCARD**

⚠ WARNING: If the information in these instructions is not followed exactly, a fire or explosion may result causing property damage, personal injury, or death.

- **DO NOT USE OR STORE FLAMMABLE MATERIALS NEAR THIS APPLIANCE.**
- **DO NOT SPRAY AEROSOLS IN THE VICINITY OF THIS APPLIANCE WHILE IT IS IN OPERATION.**
- **What to do if you smell gas**
 - **DO NOT** try to light any appliance.
 - **DO NOT** touch any electrical switch. **DO NOT** use any phone in your building.
 - Immediately call your gas supplier from a neighbor's phone. Follow the gas supplier's instructions.
 - If you cannot reach your gas supplier, call the fire department.
- Installation and service must be performed by a qualified installer, service agency, or the gas supplier.

⚠ WARNING



HOT SURFACES!

Glass and other surfaces are hot during operation AND cool down.

Hot glass will cause burns.

- **DO NOT** touch glass until it is cooled
 - **NEVER** allow children to touch glass
 - Keep children away
 - **CAREFULLY SUPERVISE** children in same room as fireplace.
 - Alert children and adults to hazards of high temperatures.
- High temperatures may ignite clothing or other flammable materials.**
- **DO NOT** PLACE ARTICLES ON OR AGAINST THIS APPLIANCE.
 - Keep clothing, furniture, draperies and other flammable materials away.

This appliance has been supplied with an integral barrier to prevent direct contact with the fixed glass panel. DO NOT operate the appliance with the barrier removed.

Contact your dealer or Hearth & Home Technologies if the barrier is not present or help is needed to properly install one.

WARNING! DO NOT modify this appliance.

HEAT & GLO™

No one builds a better fire

PLEASE READ THIS MANUAL BEFORE INSTALLING
AND USING THIS APPLIANCE.

**MODELS: Supreme-N-I30AU, Supreme-P-I30AU
ARE SAI GLOBAL APPROVED FOR NATURAL GAS AND PROPANE AS A BALANCED FLUE HEATER.**

Refer to the appliance data plates for gas consumptions and pressures.

Installation of this appliance should only be carried out by an authorized person in accordance with the manufacturer's instructions. Appliance is to be installed in full compliance with the National Gas Installation Standard AS5601, the manufacturer's instructions, and any local authorities' requirements for gas, electrical and building regulations.

This appliance and its components are tested and safe when installed in accordance with this Installation Manual. Report to your dealer any parts damaged in shipment, specifically check glass condition. The gas logs and flue system components are in separate packages. Read all instructions before starting installation and follow these instructions carefully during installation to ensure maximum benefit and safety.

Failure to follow them will void your warranty and may present a fire hazard.

The Heat & Glo, a brand of Hearth & Home Technologies Inc. warranty will be voided by, and Heat & Glo, a brand of Hearth & Home Technologies Inc. disclaims any responsibility for the following actions:

- Installation of any damaged heater or flue system component
- Modification of the heater or balanced flue system installation other than as instructed by Heat & Glo, a brand of Hearth & Home Technologies Inc.
- Improper positioning of the gas logs or the glass door.
- Installation and/or use of any component part not manufactured or approved by Heat & Glo, brand of Hearth & Home Technologies Inc., not withstanding any independent testing laboratory or other party approval of such component part or accessory.

It is the responsibility of the professionals involved with the service and installation of the appliance to test the operation of the appliance before leaving the installation site.

IMPORTANT: Read all instructions carefully before starting installation. Failure to follow these installation instructions may result in a possible fire hazard and will void the warranty. Save this manual for future reference.

Heat & Glo, a brand of Hearth & Home Technologies, Inc.
7571 215th Street West, Lakeville, MN 55044
Copyright 2012 • Printed in U.S.A.

Read this manual before installing or operating this appliance.
Please retain this owner's manual for future reference.

A. Congratulations

Congratulations on selecting a Heat & Glo gas fireplace, an elegant and clean alternative to wood burning fireplaces. The Heat & Glo gas fireplace you have selected is designed to provide the utmost in safety, reliability, and efficiency.

As the owner of a new fireplace, you'll want to read and carefully follow all of the instructions contained in this *Owner's Manual*. Pay special attention to all cautions and warnings.

This *Owner's Manual* should be retained for future reference. We suggest that you keep it with your other important documents and product manuals.


The information contained in this *Owner's Manual*, unless noted otherwise, applies to all models and gas control systems.

Your new Heat & Glo gas fireplace will give you years of durable use and trouble-free enjoyment. Welcome to the Heat & Glo family of fireplace products!

Homeowner Reference Information	<i>We recommend that you record the following pertinent information about your fireplace.</i>
Model Name: _____	Date purchased/installed: _____
Serial Number: _____	Location on fireplace: _____
Dealership purchased from: _____	Dealer Phone: _____
Notes: _____	

Listing Label Information/Location

The model information regarding your specific fireplace can be found on the rating plate usually located in the control area of the fireplace.



HEAT & GLO
No one builds a better fire

Heat & Glo, a brand of Hearth & Home Technologies Inc.
7571 215th Street West, Lakeville, MN 55044

SAI Global Certification N°:

Injector Size:.....	DMS (mm)
Gas Inlet Pressure:.....	kPa
Outlet (Manifold) Gas Pressure:.....	kPa
Turndown Outlet Gas Pressure:.....	N/A
Maximum Nominal Gas Consumption.....	MJ/h
Electrical Rating.....	240V 50hz 1A

This unit is designed to be recessed into framed construction.
TO BE INSTALLED ON WOOD FLOORING OR NON-COMBUSTIBLE FLOORING.
See installation manual for details.

Gas Type:

MADE IN USA

Model: _____

Serial: _____

xxxx-xxx

Type of Gas →

Model Number →

Serial Number →

▲ Safety Alert Key:

- **DANGER!** Indicates a hazardous situation which, if not avoided will result in death or serious injury.
- **WARNING!** Indicates a hazardous situation which, if not avoided could result in death or serious injury.
- **CAUTION!** Indicates a hazardous situation which, if not avoided, could result in minor or moderate injury.
- **NOTICE:** Used to address practices not related to personal injury.

Table of Contents

A. Congratulations	3	E. Electrical Outlet Box	22
B. Limited Lifetime Warranty	5	F. Remote Control	22

1 Listing and Code Approvals

A. Appliance Certification	8
→ B. Gas Pressure Requirements	8
C. High Altitude Installations	8
D. Non-Combustible Materials Specification	8
E. Combustible Materials Specification	8
F. Electrical Codes	8

User Guide

2 Operating Instructions

A. Gas Fireplace Safety	9
B. Your Fireplace	9
C. Clear Space	10
D. Decorative Doors, Fronts and Surrounds	10
E. Fixed Glass Assembly	10
F. Remote Controls, Wall Controls and Wall Switches	10
G. IPI Battery Tray/Battery Installation	10
H. Control Module Operation	10
I. Before Lighting Fireplace	11
J. Lighting Instructions (IPI)	12
K. After Appliance is Lit	13
L. Frequently Asked Questions	13

3 Maintenance and Service

A. Maintenance Tasks-Homeowner	14
→ B. Maintenance Tasks-Service Technician	15

Installer Guide

4 Getting Started

A. Typical Appliance System	16
B. Design and Installation Considerations	17
C. Tools and Supplies Needed	17
D. Inspect Appliance and Components	17

5 Fireplace Size Requirements

A. Minimum Fireplace Opening	18
B. Mantel and Wall Projections	20

6 Termination Locations

A. Vent Termination Minimum Clearances	21
--	----

7 Installation Preparation

A. Inspection and Cleaning	22
B. Flue Damper	22
C. Gas Line	22
D. Fireplace Conversion Notice	22

8 Installing Vent Pipe and Appliance

A. Vent Limits	23
B. Venting Components	23
C. Connecting Vent Pipe	23
D. Placing, Securing and Leveling the Appliance	25
E. Installing Adaptor and Termination Cap	26
F. Vent Kits Components	28
G. Alternate Venting Configurations Using Adaptation to SLP Venting	28
H. Flue Termination	29
I. Heat Shield Requirements for Horizontal Termination	29

9 Gas Information

A. Gas Pressure Requirements	36	←
B. Gas Connection	36	

10 Electrical Information

A. Wiring Requirements	37	←
B. IntelliFire Plus™ Ignition System Wiring	37	
C. Optional Accessories Requirements	38	←
D. REM300-HNG-AU Instructions	39	

11 Finishing

A. Mantel and Wall Projections	46
--	----

12 Appliance Setup

A. Remove Glass Assembly	47
B. Remove the Shipping Materials	47
C. Clean the Appliance	47
D. Accessories	47
E. Place the Lava Rock	47
F. Ember Placement	47
G. Install the Log Assembly	48
H. Fixed Glass Assembly	50
I. Air Shutter Setting	50
J. Decorative Fronts and Surrounds	51
K. Optional Accessories	52

13 Troubleshooting

A. IntelliFire Plus™ Ignition System	53
B. Maintenance Tasks	55

14 Reference Materials

A. Appliance Dimension Diagram	56	
B. Service Parts	57	←
C. Contact Information	60	

→ = Contains updated information.

B. Limited Lifetime Warranty



No one builds a better fire

AUSTRALIAN WARRANTY INFORMATION

Warranty information in the attached manual is for international markets, not Australia. For Australian warranty information, please see below.

Hearth & Home Technologies Inc (HHT)
7571 215th Street West, Lakeville, MN 55044
0011-1-651-345-1777
www.heatnglo.com

HHT extends the following manufacturer's warranty for HHT gas, wood, pellet, coal and electric hearth appliances that are purchased from an HHT authorised dealer.

HHT warrants to the original owner of the HHT appliance at the site of installation, and to any transferee taking ownership of the appliance at the site of installation within two years following the date of original purchase, that the HHT appliance will be free from defects in materials and workmanship at the time of manufacture.

After installation, if covered components manufactured by HHT are found to be defective in materials or workmanship during the applicable warranty period, HHT will, at its option, repair or replace the covered components. HHT, at its own discretion, may fully discharge all of its obligations under this manufacturer's warranty by replacing the product itself or refunding the verified purchase price of the product itself. The maximum amount recoverable under this warranty is limited to the purchase price of the product. This warranty is subject to conditions, exclusions and limitations as described below.

Warranty coverage begins on the date of original purchase. In the case of new home construction, coverage under this manufacturer's warranty begins on the date of first occupancy of the dwelling or six months after the sale of the product by an independent, authorised HHT dealer/ distributor, whichever occurs earlier. The warranty period for this manufacturer's warranty shall commence no later than 24 months following the date of product shipment from HHT, regardless of the installation or occupancy date. The manufacturer's warranty period for parts and labour for covered components is produced in the following table.

The term "Limited Lifetime" in the table below is defined as: 20 years from the beginning date of warranty coverage for gas appliances, and 10 years from the beginning date of warranty coverage for wood, pellet and coal appliances. These time periods reflect the minimum expected useful lives of the designated components under normal operating conditions.

Warranty Period		Heat & Glo Manufactured Appliances and Venting							Components Covered
Parts	Labor	Gas	Wood	Pellet	EPA Wood	Coal	Electric	Venting	
1 Year		X	X	X	X	X	X	X	All Parts and Material Except as covered by Conditions, Exclusion, and Limitations listed
2 years				X	X	X			Igniters, Electronic Components, and Glass
		X	X	X	X	X			Factory-installed blowers
			X						Molded refractory panels
3 years				X					Firepots and burnpots

Warranty Period		Heat & Glo Manufactured Appliances and Venting							Components Covered
Parts	Labor	Gas	Wood	Pellet	EPA Wood	Coal	Electric	Venting	
5 years	1 years			X	X				Castings & baffles
7 years	3 years		X	X	X				Manifold tubs HEAT & GLO chimney and termination
10 years	1 year	X							Burners, logs and refractory
Limited Lifetime	3 year	X	X	X	X	X			Firebox and heat exchanger
90 Days		X	X	X	X	X	X	X	All Replacement Parts beyond warranty period

OTHER RIGHTS

The HHT manufacturer's warranty is in addition to other rights and remedies that you may have under Australian law.

Our goods come with guarantees that cannot be excluded under the Australian Consumer Law. You are entitled to a replacement or refund for a major failure and for compensation for any other reasonably foreseeable loss or damage. You are also entitled to have the goods repaired or replaced if the goods fail to be of acceptable quality and the failure does not amount to a major failure.

WARRANTY CONDITIONS AND EXCLUSIONS:

- The HHT manufacturer's warranty only covers HHT appliances that are purchased through an HHT authorised dealer or distributor. A list of HHT authorised dealers is available on the HHT branded websites.
- This warranty is only valid while the HHT appliance remains at the site of original installation.

WARRANTY EXCLUSIONS:

This HHT manufacturer's warranty does not cover the following:

- Changes in surface finishes as a result of normal use. As a heating appliance, some changes in color of interior and exterior surface finishes may occur. This is not a flaw and is not covered under warranty.
- Damage to printed, plated, or enamelled surfaces caused by fingerprints, accidents, misuse, scratches, melted items, or other external sources and residues left on the plated surfaces from the use of abrasive cleaners or polishes.
- Repair or replacement of parts that are subject to normal wear and tear during the warranty period. These parts include: paint, wood, pellet and coal gaskets, firebricks, grates, flame guides, light bulbs, batteries and the discoloration of glass.
- Minor expansion, contraction, or movement of certain parts causing noise. These conditions are normal and complaints related to this noise are not covered by this warranty.
- Damages resulting from: (1) failure to install, operate, or maintain the appliance in accordance with the installation instructions, operating instructions, and listing agent identification label furnished with the appliance; (2) failure to install the appliance in accordance with local building codes; (3) shipping or improper handling; (4) improper operation, abuse, misuse, continued operation with damaged, corroded or failed components, accident, or improperly/incorrectly performed repairs; (5) environmental conditions, inadequate ventilation, negative pressure, or drafting caused by tightly sealed constructions, insufficient make-up air supply, or handling devices such as exhaust fans or forced air furnaces or other such causes; (6) use of fuels other than those specified in the operating instructions; (7) installation or use of components not supplied with the appliance or any other components not expressly authorized and approved by HHT (8) modification of the appliance not expressly authorized and approved by HHT in writing; and/or (9) interruptions or fluctuations of electrical power supply to the appliance.

- Non Heat & Glo venting components, hearth components or other accessories used in conjunction with the appliance.
- Any part of a pre-existing fireplace system in which an insert or a decorative gas appliance is installed.
- Removal, installation, reinstallation, set up or any other costs associated with a claim including travel and shipping charges for parts
- HHT's obligation under this warranty does not extend to the appliance's capability to heat the desired space. Information is provided to assist the consumer and the dealer in selecting the proper appliance for the application. Consideration must be given to appliance location and configuration, environmental conditions, insulation and air tightness of the structure.

This warranty is void if:

- The appliance has been over-fired or operated in atmospheres contaminated by chlorine, fluorine, or other damaging chemicals. Over-firing can be identified by, but not limited to, warped plates or tubes, rust colored cast iron, bubbling, cracking and discoloration of steel or enamel finishes.
- The appliance is subjected to prolonged periods of dampness or condensation.

There is any damage to the appliance or other components due to water or weather damage which is the result of, but not limited to, improper chimney or venting installation.

HOW TO CLAIM

- To make a claim against this warranty, contact your local distributor during regular business hours. See addresses below for a dealer nearest you. (Vic) Pty Ltd ACN 005 872 159 (Jetmaster).
- Additional service fees may apply if you are seeking warranty service from a dealer other than the dealer from whom you originally purchased the product.
- Check with Jetmaster in advance for any costs to you when arranging a warranty call. Travel and shipping charges for parts are not covered by this manufacturers' warranty.
- HHT and Jetmaster will assess your claim. HHT or Jetmaster may need to inspect the product as part of the assessment of your claim. If the product requires inspection, HHT or Jetmaster will discuss with you the best way for this to occur.
- To make a claim under this manufacturer's warranty, you must be able to prove when you purchased the product. The easiest way to do this is through your original proof of purchase, for example your invoice or receipt. However, if you do not have your original proof of purchase HHT or Jetmaster may accept other evidence of the date of purchase.

Melbourne

Jetmaster
444 Swan Street
Richmond 3121
(03) 9429-5573

Perth

Fireplace Corner
277 Lord Street
East Perth 6000
(08) 9228-2600

Sydney

Jetmaster
10 Martin Avenue
Arncliffe 2205
(02) 9597-7222

1 Listing and Code Approvals

A. Appliance Certification

MODELS: Supreme-N-I30-AU, Supreme-P-I30-AU

LABORATORY: SAI Global

TYPE: Gas Space Heating Appliance

STANDARD: AS4553-2008

The Heat & Glo gas appliances discussed in this Installer's Guide have been tested to certification standards and listed by the applicable laboratories.

This appliance must be installed in accordance with the rules in force.
NOX Class 5 for G20, NOX Class 5 for G31

B. Gas Pressure Requirements

WARNING! Risk of Explosion! An in-line regulator **MUST** be installed if the gas pressure exceeds 3.4 kPa. Failure to install a regulator could damage valve.

Pressure requirements for Supreme-N-I30AU and Supreme-P-I30AU fireplaces are shown in table below.

Two taps are provided on the right hand side of the gas control for a test gauge connection to measure the inlet and outlet pressures.

The fireplace and its individual shut-off valve must be disconnected from the gas supply piping system during any pressure testing of the system at test pressures in excess of 60 mbar or 6 kPa.

If the fireplace must be isolated from the gas supply piping system by closing an individual shut-off valve, it must be of the handle-less type.

	Natural Gas	Propane
Inlet Gas Pressure	1.13 - 3.40 kPa	2.75 - 3.40 kPa
Outlet (Manifold) Gas Pressure	.80 - .95 kPa	2.36 - 2.61 kPa
Maximum Gas Consumption	31.9 MJ/h	30.9 MJ/h
Burner Injector	DMS 36 (2.70 mm)	DMS 52 (1.61 mm)
→ Pilot Injector	.023	.014

An in-line regulator **MUST** be installed if the gas pressure exceeds **3.40 kPa**. Failure to install a regulator could damage valve.

C. High Altitude Installations

NOTICE: If the heating value of the gas has been reduced, these rules do not apply. Check with your local gas utility or authorities having jurisdiction.

When installing above 2000 ft. (610 m) elevation:

Reduce input rate 4% for each 1000 ft. (305 m) above 2000 ft. (610 m).

D. Non-Combustible Materials Specification

Material which will not ignite and burn. Such materials are those consisting entirely of steel, iron, brick, tile, concrete, slate, glass or plasters, or any combination thereof.

Materials that are reported as passing **ASTM E 136, Standard Test Method for Behavior of Materials in a Vertical Tube Furnace at 750 °C (1382 °F)** and **UL763** shall be considered non-combustible materials.

E. Combustible Materials Specification

Materials made of or surfaced with wood, compressed paper, plant fibers, plastics, or other material that can ignite and burn, whether flame proofed or not, or plastered or unplastered shall be considered combustible materials.

F. Electrical Codes

All electrical safety testing has been done following the EN 60335-2-102 standard. Local codes apply.

2 Operating Instructions

User Guide

A. Gas Fireplace Safety

⚠ WARNING



HOT SURFACES!

Glass and other surfaces are hot during operation AND cool down.

Hot glass will cause burns.

- DO NOT touch glass until it is cooled
- NEVER allow children to touch glass
- Keep children away

- CAREFULLY SUPERVISE children in same room as fireplace.
- Alert children and adults to hazards of high temperatures.

High temperatures may ignite clothing or other flammable materials.

- Keep clothing, furniture, draperies and other flammable materials away.

This appliance has been supplied with an integral barrier to prevent direct contact with the fixed glass panel. DO NOT operate the appliance with the barrier removed.

Contact your dealer or Hearth & Home Technologies if the barrier is not present or help is needed to properly install one.

If you expect that small children or vulnerable adults may come into contact with this fireplace, the following precautions are recommended:

- Install a physical barrier such as:

- A decorative firescreen.

- Adjustable safety gate.

- Install a switch lock or a wall/remote control with child protection lockout feature.
- Keep remote controls out of reach of children.
- Never leave children alone near a hot fireplace, whether operating or cooling down.
- Teach children to NEVER touch the fireplace.
- Consider not using the fireplace when children will be present.

Contact your dealer for more information, or visit: www.hpba.org/safety-information.

To prevent unintended operation when not using your fireplace for an extended period of time (summer months, vacation/trips, etc):

- Remove batteries from remote controls.
- Turn off wall controls.

B. Your Fireplace

WARNING! DO NOT operate fireplace before reading and understanding operating instructions. Failure to operate fireplace according to operating instructions could cause fire or injury.

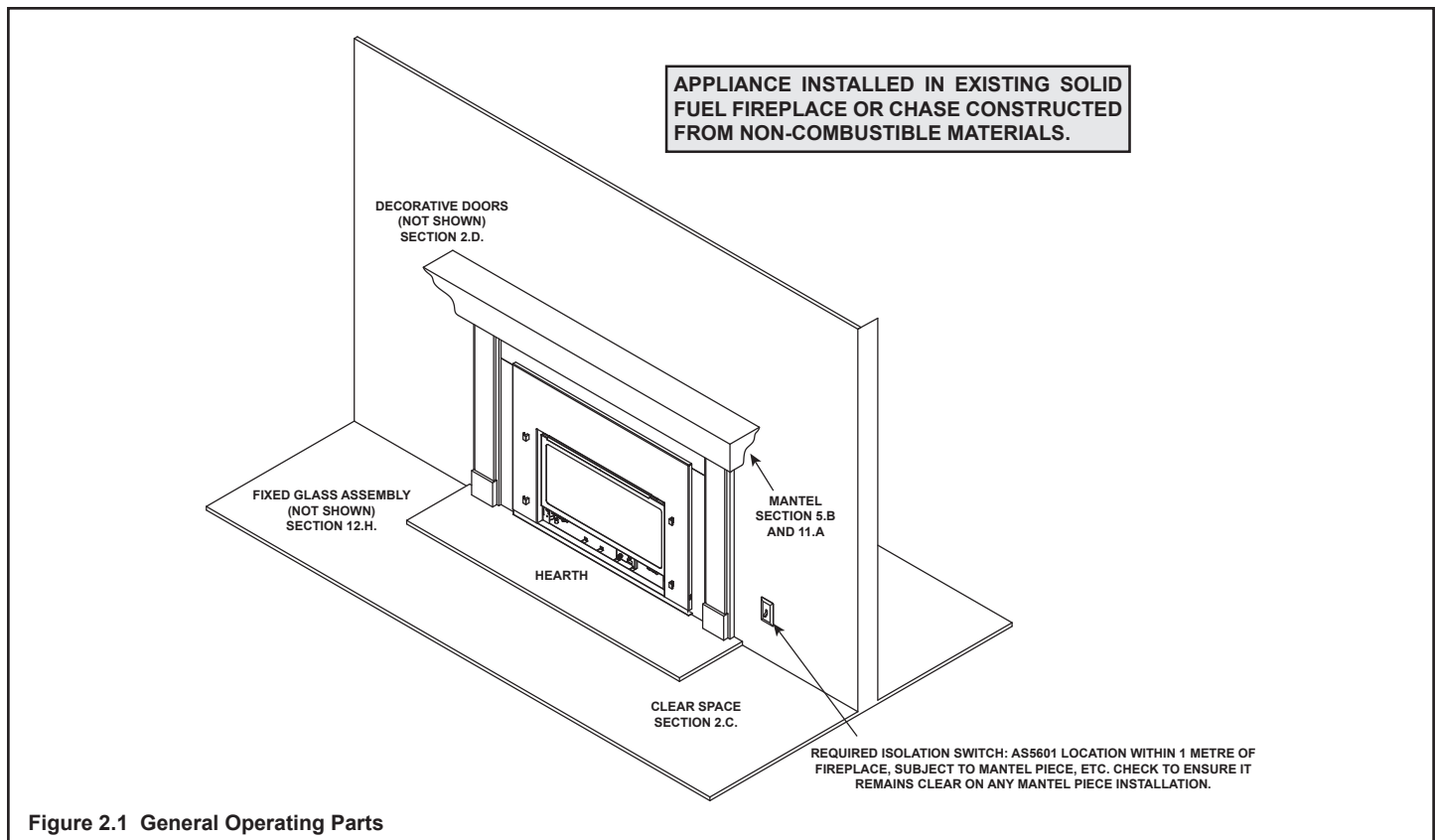


Figure 2.1 General Operating Parts

C. Clear Space

WARNING! DO NOT place combustible objects in front of the fireplace or block louvers. High temperatures may start a fire. See Figure 2.2.

Avoid placing candles and other heat-sensitive objects on mantel or hearth. Heat may damage these objects.

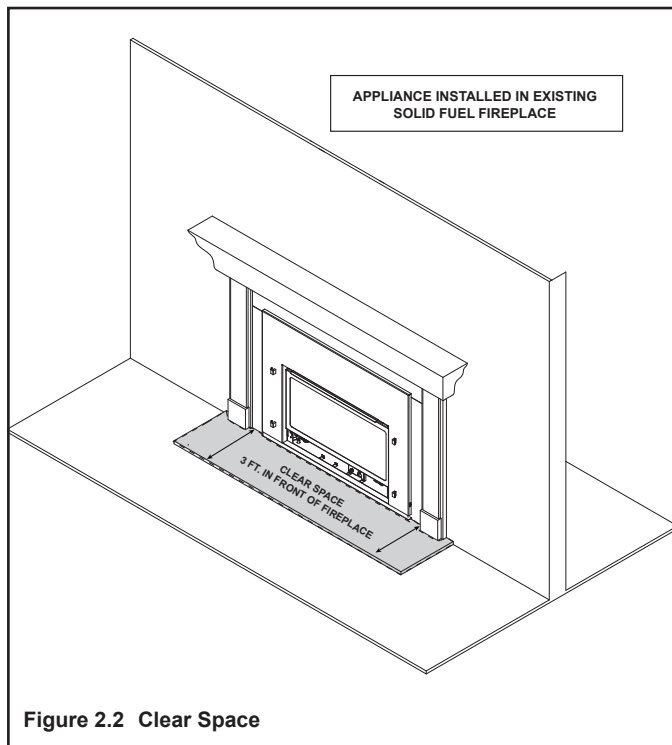


Figure 2.2 Clear Space

D. Decorative Doors, Fronts and Surrounds

WARNING! Risk of Fire! Install **ONLY** doors, fronts or surrounds approved by Hearth & Home Technologies. Unapproved doors or fronts may cause appliance to over-heat.

This appliance has been supplied with an integral barrier to prevent direct contact with the fixed glass panel. DO NOT operate the appliance with the barrier removed.

Contact your dealer or Hearth & Home Technologies if the barrier is not present or help is needed to properly install one.

For more information refer to the instructions supplied with your decorative door or front.

E. Fixed Glass Assembly

See Section 12.H.

F. Remote Controls, Wall Controls and Wall Switches

Follow the instructions supplied with the control installed to operate your fireplace:

For safety:

- Install a switch lock or a wall/remote control with child protection lockout feature.
- Keep remote controls out of reach of children.

See your dealer if you have questions.

G. IPI Battery Tray/Battery Installation

The IntelliFire Plus™ system has a battery backup option. Battery longevity and performance will be affected by the service temperatures of this appliance.

NOTICE: Batteries should only be used as a power source in the event of an emergency such as an outage.

H. Control Module Operation

1. The control module has an ON/OFF/REMOTE selector switch that must be set. See Figure 2.3.

OFF Position: Appliance will ignore all power inputs and will not respond to any commands from a wall switch or remote. The unit should be in the OFF position during installation, service, battery installation, fuel conversion, and in the event that the control goes into LOCK-OUT mode as a result of an error code.

ON Position: Appliance will ignite and run continuously in the HI flame setting, with no adjustment in flame output. This mode of operation is primarily used for initial installation or power outage operation with battery backup.

REMOTE Position: Appliance will initiate commands from an optional wired wall switch and/or the wireless remote (RC300).

2. If using a wired wall switch with the module in REMOTE mode, the flame output can be adjusted with the HI/LO selector switch on the module. See Figure 2.3. Note that the flame HI/LO selector switch will become inactive once an optional remote control (RC200/RC300) is programmed to the control module. Note that the control module will always ignite the fireplace on HI and remain so for the initial 10 seconds of operation. If the HI/LO is switched to the LO position, the flame output will automatically drop to the lowest setting after the flame has been established for 10 sec. After this 10 second period, the flame can be adjusted from HI to LO with the switch.
3. The control module has safety feature that automatically shuts down the fireplace after 9 hours of continuous operation without receiving a command from the RC300 remote.

- If you intend to use both an optional wired wall switch and the RC300 remote control to operate your fireplace, the wall switch will override any commands given by the remote.

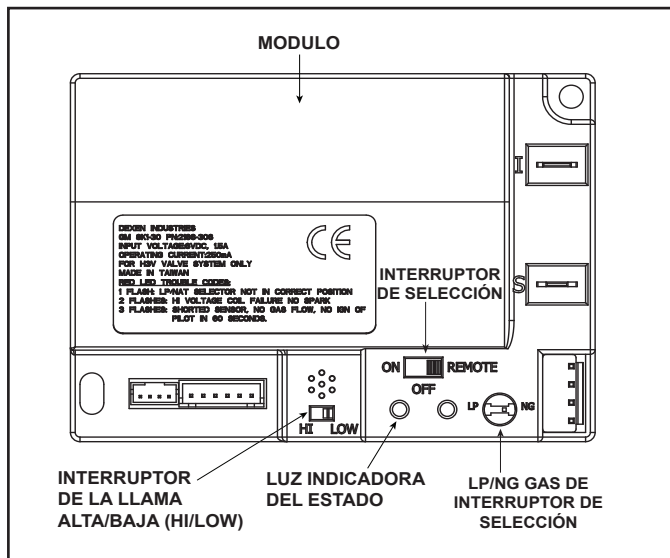


Figure 2.3 Control Module

5. Module Reset

This module may lock-out under certain conditions. When this occurs, the appliance will not ignite or respond to commands. The module will go into lock-out mode by emitting three audible beeps, then continuously displaying an error code at its status indicator LED.

- Check battery tray. Remove batteries if installed. Batteries should only be installed for use during power outages. See Section G.
- Locate the module selector switch. (See Figure 2.3).
- Set the module selector switch to the OFF position.
- Wait five (5) minutes to allow possible accumulated gas to clear.
- Set the module selector position switch to ON or REMOTE position.
- Start the appliance.

WARNING! Risk of Explosion! DO NOT press the module reset switch more than one time within a five minute time period. Gas may accumulate in firebox. Call a qualified service technician.

Note: If the module is in LOCK-OUT mode, resetting the circuit breaker to the appliance will also reset the module.

Note: For units installed in Australia, the residence's 220/240 wall outlet to which this appliance's power cord is connected, must be wired to an in-line on/off switch. This is required for servicing and/or resetting the control module in the event of a control module LOCK-OUT.

Nine Hour Safety Shutdown Feature

This appliance has a safety feature that automatically shuts down the fireplace after 9 hours of continuous operation without receiving a command from the wall switch or optional remote.

I. Before Lighting Fireplace

Before operating this fireplace for the first time, **have a qualified technician:**

- Verify all shipping materials have been removed from inside and/or underneath the firebox.
- Review proper placement of logs, ember material and/or other decorative materials.
- Check the wiring.
- Check the air shutter adjustment.
- Ensure that there are no gas leaks.
- Ensure that the glass is sealed and in the proper position and that the integral barrier is in place.

WARNING! Risk of Fire/Asphyxiation! DO NOT operate fireplace with fixed glass assembly removed.

Determine if this fireplace has a standing pilot or an Intellifire ignition system. Ask your dealer or open control access panel, look at gas valve.

- A standing pilot ignition will have a red or black ignitor button (refer to Figure 2.4).
- An Intellifire ignition system will not have a button.

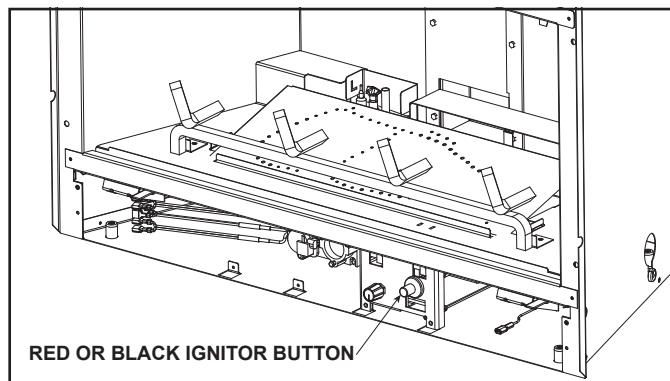


Figure 2.4 Ignitor Button

J. Lighting Instructions (IPI)

The IPI system may be operated with four AA-cell batteries. When using batteries, unplug the transformer. To prolong battery life, remove them when using the transformer.

FOR YOUR SAFETY READ BEFORE LIGHTING

WARNING: If you do not follow these instructions exactly, a fire or explosion may result causing property damage, personal injury or loss of life.

- A.** This appliance is equipped with an intermittent pilot ignition (IPI) device which automatically lights the burner. **DO NOT** try to light the burner by hand.
- B. BEFORE LIGHTING,** smell all around the appliance area for gas. Be sure to smell next to the floor because some gas is heavier than air and will settle on the floor.
- WHAT TO DO IF YOU SMELL GAS**
- **DO NOT** try to light any appliance.
 - **DO NOT** touch any electric switch; do not use any phone in your building.
- Immediately call your gas supplier from a neighbor's phone. Follow the gas supplier's instructions.
 - If you cannot reach your gas supplier, call the fire department.
- C. DO NOT** use this appliance if any part has been under water. Immediately call a qualified service technician to inspect the appliance and to replace any part of the control system and any gas control which has been under water.

WARNING:

DO NOT CONNECT LINE VOLTAGE (110/120 VAC OR 220/240 VAC) TO THE CONTROL VALVE.

Improper installation, adjustment, alteration, service or maintenance can cause injury or property damage. Refer to the owner's information manual provided with this appliance.

This appliance needs fresh air for safe operation and must be installed so there are provisions for adequate combustion and ventilation air.

If not installed, operated, and maintained in accordance with the manufacturer's instructions, this product could expose you to substances in fuel or fuel combustion which are known to the State of California to cause cancer, birth defects, or other reproductive harm.

Keep burner and control compartment clean. See installation and operating instructions accompanying appliance.

For additional information on operating your
Hearth & Home Technologies fireplace, please refer to www.fireplaces.com.

CAUTION:

Hot while in operation. **DO NOT** touch. Keep children, clothing, furniture, gasoline and other liquids having flammable vapors away.

DO NOT operate the appliance with fixed glass assembly removed, cracked or broken. Replacement of the fixed glass assembly should be done by a licensed or qualified service person.

NOT FOR USE WITH SOLID FUEL

For use with natural gas and propane. A conversion kit, as supplied by the manufacturer, shall be used to convert this appliance to the alternate fuel.

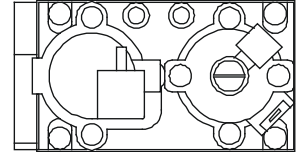
Also Certified for Installation in a Bedroom or a Bedsitting Room.

For assistance or additional information, consult a qualified installer, service agency or the gas supplier.

LIGHTING INSTRUCTIONS (IPI)

1. This appliance is equipped with an ignition device which automatically lights the burner. **DO NOT** try to light the burner by hand.

**GAS
VALVE**



2. Wait five (5) minutes to clear out any gas. Then smell for gas, including near the floor. If you smell gas, **STOP!** Follow "B" in the Safety Information located on the left side of this label. If you do not smell gas, go to next step.

3. To light the burner:

Equipped with wall switch: Turn ON/OFF switch to ON.

Equipped with remote or wall control: Press ON or FLAME button.

Equipped with thermostat: Set temperature to desired setting.

4. If the appliance does not light after three tries, call your service technician or gas supplier.

TO TURN OFF GAS TO APPLIANCE

1. Equipped with wall switch: Turn ON/OFF switch to OFF.

Equipped with remote or wall control: Press OFF button.

Equipped with thermostat: Set temperature to lowest setting.

2. Service technician should turn off electric power to the control when performing service.

593-913G

Final inspection by _____

K. After Appliance is Lit

Initial Break-in Procedure

- The appliance should be run three to four hours continuously on high.
- Turn the appliance off and allow it to completely cool.
- Remove fixed glass assembly. See Section 12.H.
- Clean fixed glass assembly. See Section 3.
- Replace the fixed glass assembly and run continuously on high an additional 12 hours.

This cures the materials used to manufacture the fireplace.

NOTICE! Open windows for air circulation during appliance break-in.

- *Some people may be sensitive to smoke and odors.*
- *Smoke detectors may activate.*

L. Frequently Asked Questions

ISSUE	SOLUTIONS
Condensation on the glass	This is a result of gas combustion and temperature variations. As the appliance warms, this condensation will disappear.
Blue flames	This is a result of normal operation and the flames will begin to yellow as the appliance is allowed to burn for 20 to 40 minutes.
Odor from appliance	When first operated, this appliance may release an odor for the first several hours. This is caused by the curing of the paint and the burning off of any oils remaining from manufacturing. Odor may also be released from finishing materials and adhesives used around the appliance.
Film on the glass	This is a normal result of the curing process of the paint and logs. Glass should be cleaned within 3 to 4 hours of initial burning to remove deposits left by oils from the manufacturing process. A non-abrasive cleaner such as gas fireplace glass cleaner may be necessary. See your dealer.
Metallic noise	Noise is caused by metal expanding and contracting as it heats up and cools down, similar to the sound produced by a furnace or heating duct. This noise does not affect the operation or longevity of the appliance.
Delay from ON command to burner ignition	It is normal to have a 5-20 second delay between the execution of the ON command and the ignition of the burner flame. The delay is part of the pilot rectification process and does not affect performance.

3 Maintenance and Service

Any safety screen or guard removed for servicing must be replaced prior to operating the appliance.

When properly maintained, your appliance will give you many years of trouble-free service. We recommend annual service by a qualified technician.

A. Maintenance Tasks-Homeowner

Installation and repair should be done by a qualified technician only. The appliance should be inspected before use and at least annually by a professional service person.

The following tasks may be performed annually by the homeowner. If you are uncomfortable performing any of the listed tasks, please call your dealer for a service appointment.

More frequent cleaning may be required due to lint from carpeting or other factors. Control compartment, burner and circulating air passageway of the appliance must be kept clean.

CAUTION! Risk of Burns! The appliance should be turned off and cooled before servicing.

Glass Cleaning

Frequency: Seasonally

By: Homeowner

Tools Needed: Protective gloves, glass cleaner, drop cloth and a stable work surface.

CAUTION! Handle fixed glass assembly with care. Glass is breakable.

- Avoid striking, scratching or slamming glass
- Avoid abrasive cleaners
- **DO NOT** clean glass while it is hot
- Prepare a work area large enough to accommodate fixed glass assembly and door frame by placing a drop cloth on a flat, stable surface.

Note: Fixed glass assembly and gasketing may have residue that can stain carpeting or floor surfaces.

- Remove door or decorative front from appliance and set aside on work surface.
- See Section 12.H for instructions to remove fixed glass assembly.
- Clean glass with a non-abrasive commercially available cleaner.
 - Light deposits: Use a soft cloth with soap and water
 - Heavy deposits: Use commercial fireplace glass cleaner (consult with your dealer)
- Carefully set fixed glass assembly in place on appliance. Hold glass in place with one hand and secure glass latches with the other hand.
- Reinstall door or decorative front.

Doors, Surrounds, Fronts

Frequency: Annually

By: Homeowner

Tools needed: Protective gloves, stable work surface

- Assess condition of screen and replace as necessary.
- Inspect for scratches, dents or other damage and repair as necessary.
- Check that louvers are not blocked.
- Vacuum or dust surfaces.

Remote Control

Frequency: Seasonally

By: Homeowner

Tools needed: Replacement batteries and remote control instructions.

- Locate remote control transmitter and receiver.
- Verify operation of remote. Refer to remote control operation instructions for proper calibration and setup procedure.
- Place batteries as needed in remote transmitters and battery-powered receivers.
- Place remote control out of reach of children.

If not using your fireplace for an extended period of time (summer months, vacations/trips, etc), to prevent unintended operation:

- Remove batteries from remote controls.

Venting

Frequency: Seasonally

By: Homeowner

Tools needed: Protective gloves and safety glasses.

- Inspect venting and termination cap for blockage or obstruction such plants, bird nests, leaves, snow, debris, etc.
- Verify termination cap clearance to subsequent construction (building additions, decks, fences, or sheds). See Section 6.
- Inspect for corrosion or separation.
- Verify weather stripping, sealing and flashing remains intact.
- Inspect draft shield to verify it is not damaged or missing.

B. Maintenance Tasks-Service Technician

The following tasks must be performed by a qualified technician.

Gasket Seal and Glass Assembly Inspection

Frequency: Annually

By: Service Technician

Tools needed: Protective gloves, drop cloth and a stable work surface.

- Inspect gasket seal and its condition.
- Inspect fixed glass assembly for scratches and nicks that can lead to breakage when exposed to heat.
- Confirm there is no damage to glass or glass frame. Replace as necessary.
- Verify that fixed glass assembly is properly retained and attachment components are intact and not damaged. Replace as necessary.

Logs

Frequency: Annually

By: Service Technician

Tools needed: Protective gloves.

- Inspect for damaged or missing logs. Replace as necessary. Refer to Section 12.G for log placement instructions.
- Verify correct log placement and no flame impingement causing sooting. Correct as necessary.

Firebox

Frequency: Annually

By: Service Technician

Tools needed: Protective gloves, sandpaper, steel wool, cloths, mineral spirits, primer and touch-up paint.

- Inspect for paint condition, warped surfaces, corrosion or perforation. Sand and repaint as necessary.
- Replace appliance if firebox has been perforated.

Control Compartment and Firebox Top

Frequency: Annually

By: Service Technician

Tools needed: Protective gloves, vacuum cleaner, dust cloths

- Vacuum and wipe out dust, cobwebs, debris or pet hair. Use caution when cleaning these areas. Screw tips that have penetrated the sheet metal are sharp and should be avoided.
- Remove all foreign objects.
- Verify unobstructed air circulation.

Burner Ignition and Operation

Frequency: Annually

By: Service Technician

Tools needed: Protective gloves, vacuum cleaner, whisk broom, flashlight, voltmeter, indexed drill bit set, and a manometer.

- Verify burner is properly secured and aligned with pilot or igniter.
- Clean off burner top, inspect for plugged ports, corrosion or deterioration. Replace burner if necessary.
- Replace Glowing embers with new dime-size pieces. **DO NOT** block ports or obstruct lighting paths. Refer to Section 12.F for proper ember placement.
- Verify batteries have been removed from battery back-up IPI systems to prevent premature battery failure or leaking. For optimal battery life, locate the battery pack outside of the control cavity on the hearth. This placement will reduce the chances of overheating the batteries during extended burns which could result in reduced battery life or degradation.
- Check for smooth lighting and ignition carryover to all ports. Verify that there is no ignition delay.
- Inspect for lifting or other flame problems.
- Verify air shutter setting is correct. See Section 12.I for required air shutter setting. Verify air shutter is clear of dust and debris.
- Inspect orifice for soot, dirt and corrosion. Verify orifice size is correct. See Service Parts List for proper orifice sizing.
- Verify manifold and inlet pressures. Adjust regulator as required.
- Inspect pilot flame pattern and strength. See Figure 3.1 for proper pilot flame pattern. Clean or replace orifice spud as necessary.
- Inspect IPI flame sensing rod for soot, corrosion and deterioration. Polish with fine steel wool or replace as required.
- Verify that there is not a short in flame sense circuit by checking continuity between pilot hood and flame sense rod. Replace pilot as necessary.

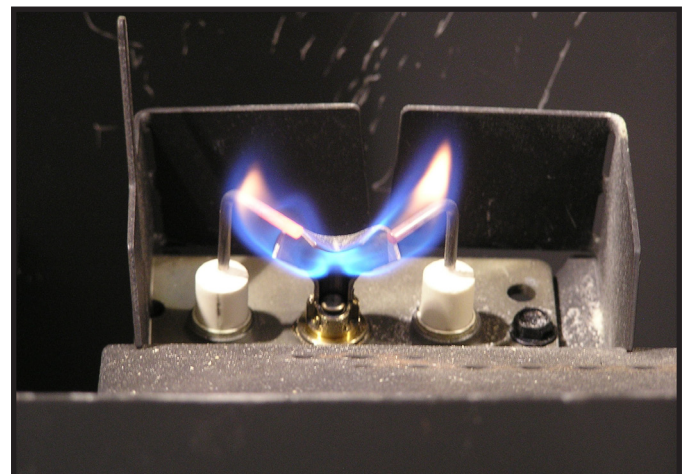


Figure 3.1 IPI Pilot Flame Patterns

4 Getting Started

Installer Guide

A. Typical Appliance System

NOTICE: Illustrations and photos reflect typical installations and are for design purposes only. Illustrations/diagrams are not drawn to scale. Actual product may vary from pictures in manual

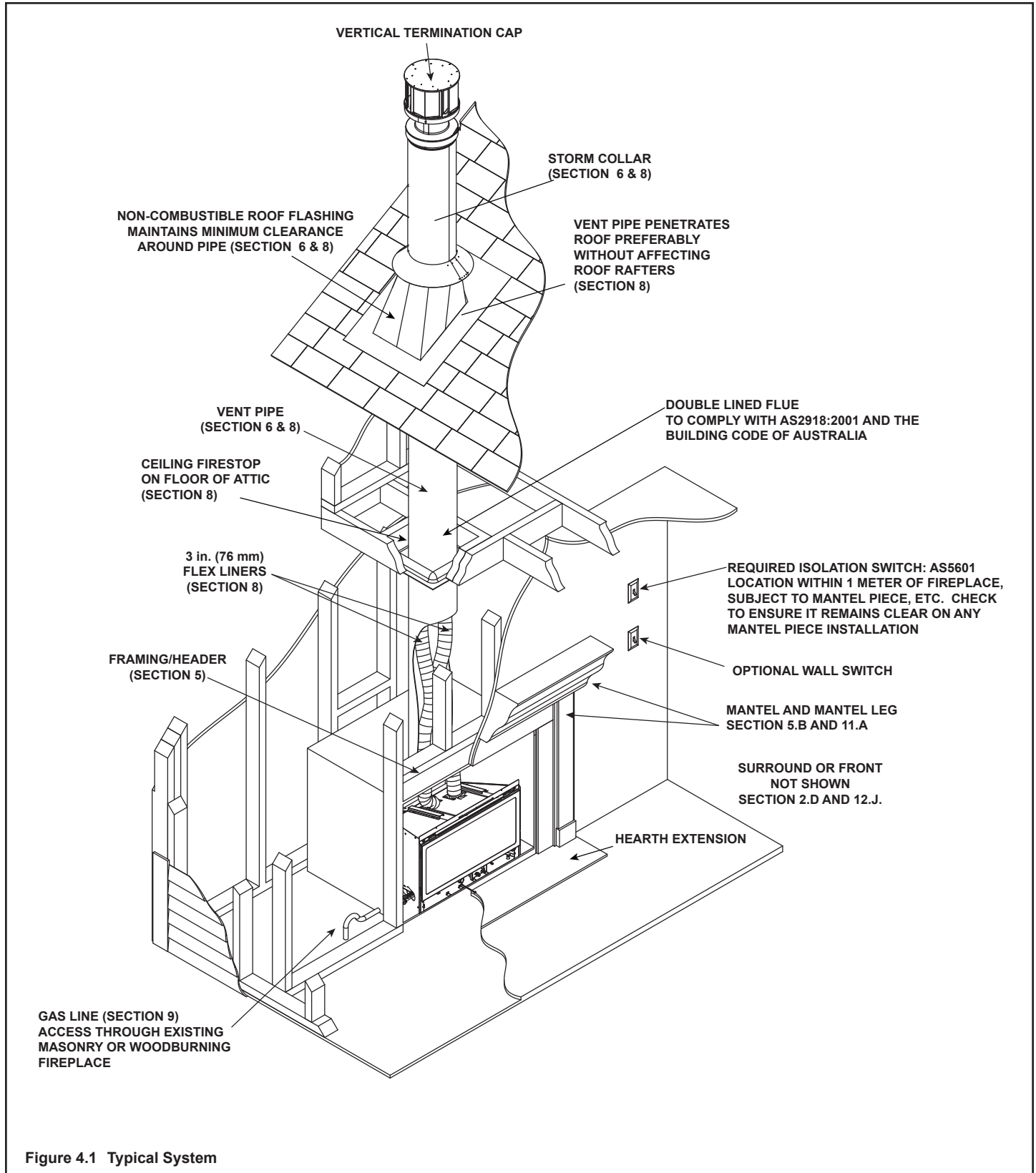


Figure 4.1 Typical System

B. Design and Installation Considerations

Heat & Glo gas inserts are designed for installations into solid fuel masonry or factory built fireplaces that have been installed in accordance with the National, Provincial, State and local building codes. Fireplaces are to be constructed of non-combustible materials and, in the absence of local or regional codes, meet criteria of NFPA 211. No additional outside air source is required.

Installation MUST comply with local, regional, state and national codes and regulations. Consult insurance carrier, local building inspector, fire officials or authorities having jurisdiction over restrictions, installation inspection and permits.

Prior to installing the gas insert:

- Have the chimney and adjacent structure inspected and cleaned by qualified professionals. Hearth & Home Technologies recommends that NFI or CSIA certified professionals, or technicians under the direction of certified professionals, conduct a minimum of a NFPA 211 Level 2 inspection of the chimney.
- Replace component parts of the chimney and fireplace as specified by the professionals.
- Ensure combustible mantel and surround clearances comply with applicable codes and regulations for solid-fuel fireplaces. In the absence of local or regional codes, refer to NFPA 211.
- Ensure all joints are properly engaged and the chimney is properly secured.
- Minimum fireplace size. See Section 5.A.
- Gas supply piping requirements.
- Electrical wiring requirements.
- Finishing details.
- Whether optional accessories—devices such as a wall switch or remote control—are desired.

Improper installation, adjustment, alteration, service or maintenance can cause injury or property damage. For assistance or additional information, consult a qualified technician, service agency or your dealer.

C. Tools and Supplies Needed

Before beginning the installation be sure that the following tools and building supplies are available.

- | | |
|--|---|
| Tape measure | Framing material |
| Pliers | Non-corrosive leak check solution |
| Hammer | Phillips screwdriver |
| Gloves | Framing square |
| Voltmeter | Electric drill and bits -1/4 in. (6 mm) |
| Plumb line | Safety glasses |
| Level | Reciprocating saw |
| Manometer | Flat blade screwdriver |
| 1/2 - 3/4 in. (13 - 18 mm) length, #6 or #8 | |
| Self-drilling screws | |
| Caulking material 149 °C (300 °F) minimum continuous exposure rating) | |
| Caulking material 649 °C (1200 °F) or higher minimum continuous exposure rating) | |

D. Inspect Appliance and Components

- Carefully remove the appliance and components from the packaging.
- The vent system components and decorative doors and fronts may be shipped in separate packages.
- If packaged separately, the log set and appliance grate must be installed.
- Report to your dealer any parts damaged in shipment, particularly the condition of the glass.
- **Read all of the instructions before starting the installation. Follow these instructions carefully during the installation to ensure maximum safety and benefit.**

WARNING! Risk of Fire or Explosion! Damaged parts could impair safe operation. DO NOT install damaged, incomplete or substitute components. Keep appliance dry.

Hearth & Home Technologies disclaims any responsibility for, and the warranty will be voided by, the following actions:

- Installation and use of any damaged appliance or vent system component.
- Modification of the appliance or vent system.
- Installation other than as instructed by Hearth & Home Technologies.
- Improper positioning of the gas logs or the glass door.
- Installation and/or use of any component part not approved by Hearth & Home Technologies.

Any such action may cause a fire hazard.

WARNING! Risk of Fire/Explosion/Electric Shock! DO NOT use this appliance if any part has been under water. Call a qualified technician to inspect the appliance and to replace any part of the control system and/or gas control which has been under water.

5 Fireplace Size Requirements

A. Minimum Fireplace Opening

Minimum fireplace opening requirements for a standard 3/4 inch deep surround are shown in Figure 5.2. For smaller openings, an optional 1-1/2 in. (38 mm) deep surround is available and dimensions are shown in Figure 5.3.

WARNING! Risk of Fire or Burns! Provide adequate clearance around air openings and for service access. **Due to high temperatures, the appliance should be located out of traffic and away from furniture and draperies.**

- The firebrick (refractory), glass doors, screen rails, screen mesh and log grates can be removed from a factory built firebox in order to gain minimum gas insert opening requirements.
- Any smoke shelves, shields and baffles may be removed from the factory built firebox if attached with mechanical fasteners.

- The metal floor of the solid fuel firebox may be removed to facilitate the installation of the insert.
- Cutting of any sheet metal parts of the fireplace in which the gas fireplace insert is to be installed is prohibited, except the floor as tested for and as noted above and in Figure 5.1.
- A minimum 1/2 in. (13 mm) gap from the bottom of the appliance to the metal floor of the solid fuel firebox is **RECOMMENDED** for optimal fan performance. See side view in Figure 5.1.

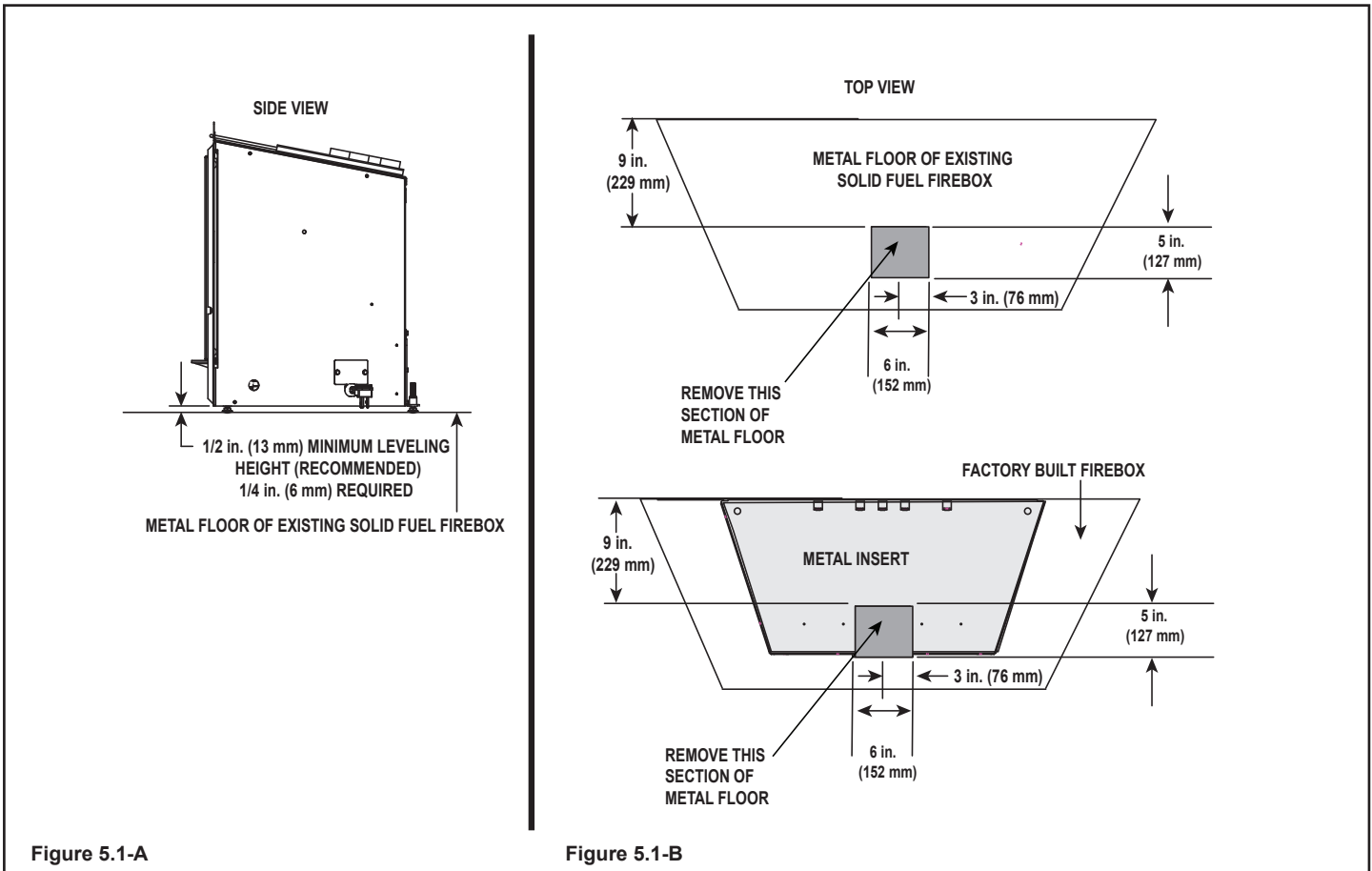
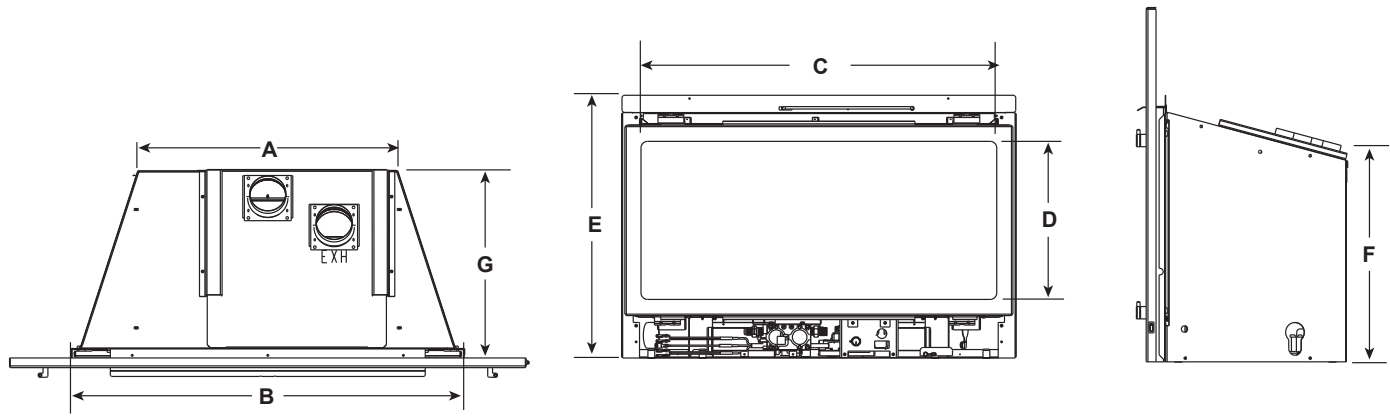


Figure 5.1-A

Figure 5.1-B

- The appliance may not be placed directly on the base of the outer wrap, a 1/4 in. (6 mm) airspace **MUST** be provided between the insert and the floor of the outer wrap. Use the leveling legs to raise the insert a minimum of 1/4 inch. The original fireplace may never be returned to solid fuel in this condition. The sidewalls and top structure of the firebox may not be altered with the exception of removable baffles and dampers.
- If a minimum 1/2 in. (13 mm) gap can not be achieved, a section of the factory-built metal floor can be removed. See Figure 5.1-B.



TOP VIEW

FRONT VIEW

SIDE VIEW

MINIMUM FIREPLACE SIZE (3/4 IN. (19 mm) Surround Depth)			
Location		Supreme-I30AU	
		Inches	Millimeters
A	Rear Width	20-1/4	514
B	Front Width	30-1/2	775
C	Glass Opening Width	27-7/16	697
D	Glass Opening Height	12-13/16	325
E	Height-Front	20-1/2	521
F	Height-Rear	17-5/8	448
G	Unit Depth	14-5/8	371

* Note: If exhaust collar on insert and fireplace damper do not line up, add 4 in. (102 mm) to minimum fireplace height for bends in vent pipe.

In addition to these dimensions, also reference Clearances and Mantel Projections (Section 5.B).

Figure 5.2 Fireplace Opening

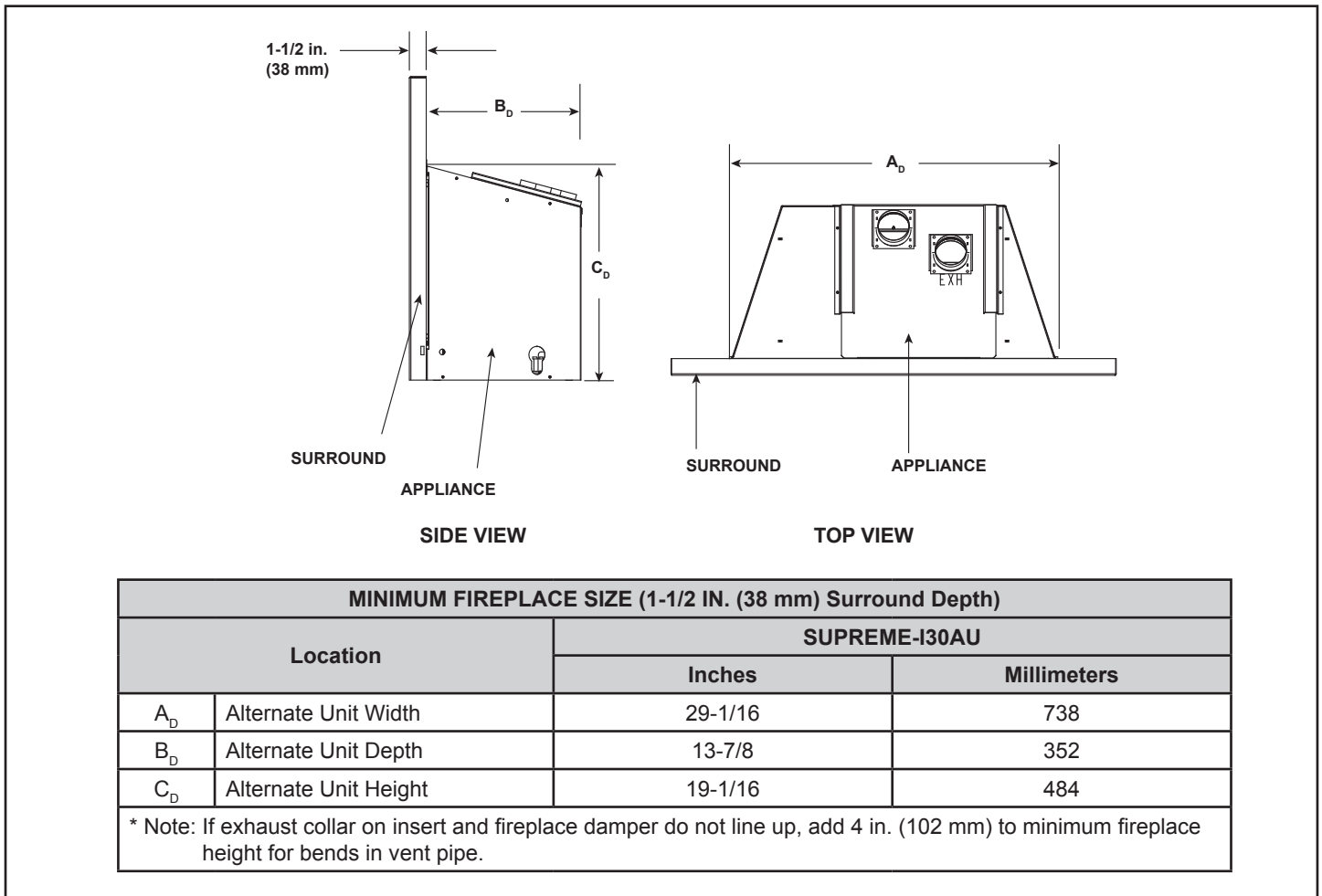


Figure 5.3 Fireplace Opening - Deep Surround

B. Mantel and Wall Projections

WARNING! Risk of Fire! Comply with all minimum clearances to combustibles as specified. Framing or finishing material closer than the minimums listed must be constructed entirely of noncombustible materials (i.e., steel studs, concrete board, etc).

Clearance to combustible material under the insert is 1/4 in. (6 mm). Clearance from top of fireplace opening for combustibles extending 12 in. (305 mm) max. is 12 in (305 mm)

- Use leveling legs to raise insert minimum 1/4 in. (6 mm) above combustible material or outer wrap of factory built firebox.

Combustible facings must not extend behind the insert surround. For non-combustible material specifications refer to Section 1.E.

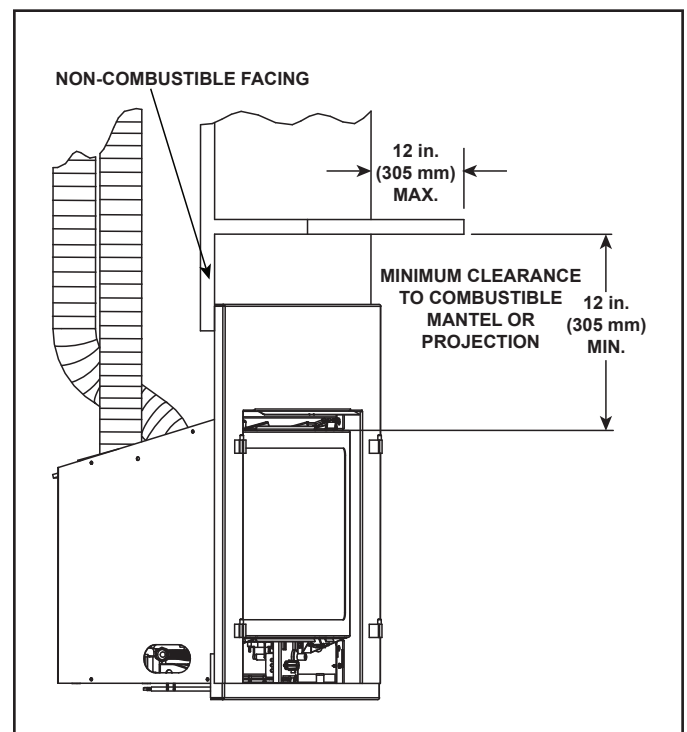



Figure 5.4 Mantel Clearances or Other Combustibles Above Appliances

6 Termination Locations

A. Vent Termination Minimum Clearances

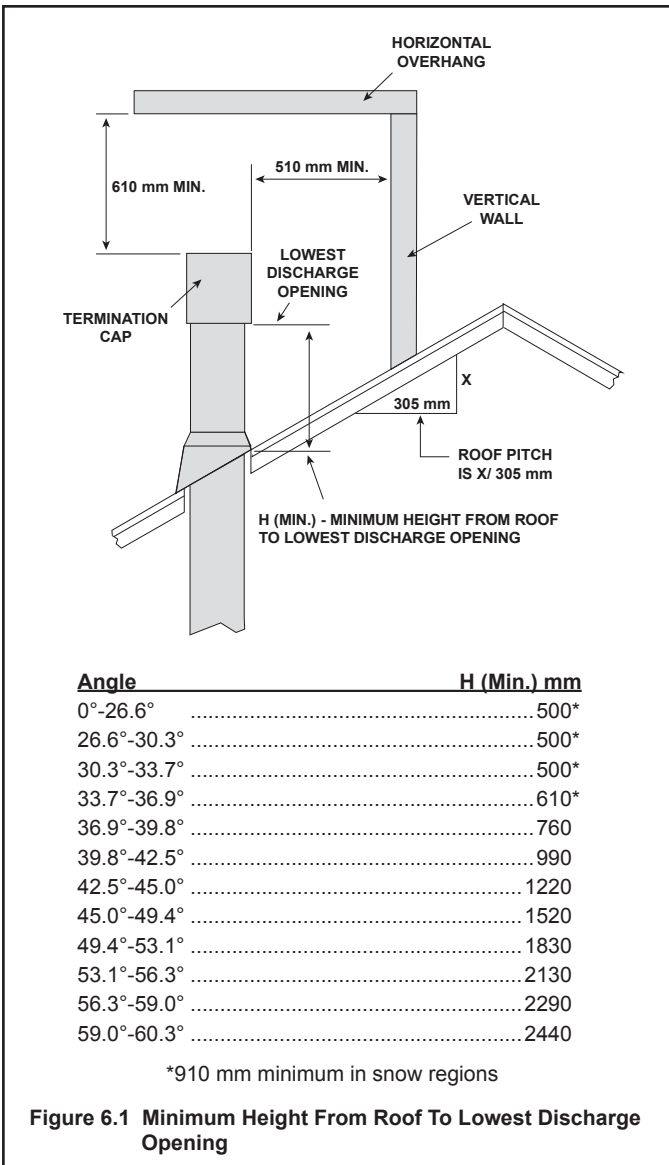


⚠ WARNING

Fire Risk.
Maintain vent clearance to combustibles as specified.

- **DO NOT** pack air space with insulation or other materials.

Failure to keep insulation or other materials away from vent pipe may cause fire.



7 Installation Preparation

Prepare the existing solid fuel masonry or factory built non-combustible firebox for installation.

A. Inspection and Cleaning

Prior to installing the gas insert:

- Have the chimney and adjacent structure inspected and cleaned by qualified professionals. Hearth & Home Technologies recommends that NFI, CSIA or AS5601 certified professionals, or technicians under the direction of certified professionals, conduct a minimum of a NFPA 211 Level 2 inspection of the chimney.
- Replace component parts of the chimney and fireplace as specified by the professionals.
- Ensure all joints are properly engaged and the chimney is properly secured.
- Ensure combustible mantel and surround clearances comply with applicable codes and regulations for solid-fuel fireplaces. In the absence of local or regional codes, refer to NFPA 211 or AS5601.
- Ensure chimney is constructed of non-combustible materials.
- Ensure chimney is clean and in good working order.
- Ensure that all chimney cleanouts fit properly to prevent air leakage into chimney.

B. Flue Damper

Fully lock the solid fuel fireplace's flue damper in the open position, OR completely remove it.

C. Gas Line

Note: If the factory built fireplace has no gas access hole provided, an access hole of 1 in. (25 mm) diameter or less may be drilled through the lower sides or bottom of the firebox in a proper workmanship - like manner. This access hole must be plugged with non-combustible insulation after the gas supply line has been installed.

- Install gas line into firebox cavity.
- Check local codes and gas line sizing requirements AS5601. Australian Plumber's Code applies.
- It is recommended that extra length of gas line be installed within the existing wood burner or masonry fireplace to allow removal of the insert for future servicing needs.

An in-line regulator **MUST** be installed if the gas pressure exceeds 3.4 kPa. Failure to install a regulator could damage valve.

D. Fireplace Conversion Notice

Permanently attach the label with the following warning to the inside lower back of the fireplace firebox into which the insert is being installed. Silicone or mechanical fasteners may be required to properly secure the label.

WARNING! Risk of Fire! *This fireplace has been converted for use with a gas fireplace insert only and cannot be used for burning wood or solid fuels unless all original parts have been replaced, and the fireplace re-approved by the authority having jurisdiction.*

E. Electrical Outlet Box

An outlet box may be installed in a bottom back corner of the existing solid fuel masonry or factory built fireplace to power the appliance. Each unit ships standard with a cord assembly to permit blowers or other optional accessories to be used. The accessories plug may into the new outlet box or be routed out onto the hearth to a nearby outlet.

F. Remote Control

IPI Models:

If a remote control kit is used to control blower function, the AUX300CE module can only be placed in the control cavity to the right of the control panel. See Figure 7.1.

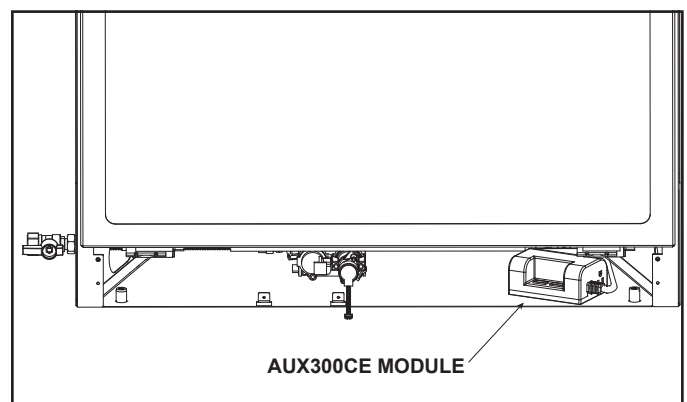


Figure 7.1 Location of AUX300CE for Remote Control Blower Function - IPI

8 Installing Vent Pipe and Appliance

A. Vent Limits

The abbreviations listed in this vent table key are used in the vent diagrams.

Description
Minimum Vertical Run Length 13 ft. (4.0 m)
Maximum Vertical Run Length 40 ft. (12 m)

See Figure 8.13 for horizontal venting with optional SLP venting configuration.

Vertical terminations are measured to top of chimney.

This appliance is listed for use with LINK-DV systems and components only. It is permissible to extend venting above existing chimney (within specified maximum vertical limits) using SLP series or Duravent GS series 4 in. x 6-5/8 in. (101 mm x 168 mm) gas direct-vent pipe. The link kit will need to be connected to the DV-46DVA-GK to convert the LINK venting to SLP series. The vent must be terminated with the cap supplied with the LINK-series vent kit. Optional colinear to coaxial adapter may be used to configure for SLP series piping. See Section 8.F.

WARNING! Risk of Fire/Explosion/Asphyxiation! Do NOT connect this gas appliance to a chimney flue serving a separate solid fuel or gas burning appliance.

- May impair safe operation of this appliance or other appliances connected to the flue.
- Vent this appliance directly outside.
- Use separate vent system for this appliance.

CAUTION! ALL vent specifications MUST be followed. This product is tested and listed to these specifications. Appliance performance will suffer if specifications are not followed.

B. Venting Components

CAUTION! Risk of Cuts/Abrasions/Flying Debris. Wear protective gloves and safety glasses during installation. Sheet metal edges are sharp.

The vertical vent termination system installed on this model includes:

- Flexible vent pipe for exhaust air (included with vent kit).
- One length of 3 in. (76 mm) flexible vent pipe for combustion air (included with vent kit).
- One pipe-to-cap adaptor (included with vent kit).
- One vertical termination cap (included with vent kit).

C. Connecting Vent Pipe

Reference instructions in the termination kit.

- Install the 3-inch flexible vent pipe(s) down through the chimney.
- Secure the exhaust flexible vent pipe to the exhaust starting collar on top of the appliance with three screws and seal with stove cement rated for continuous exposure to 649 °C (1200 °F) or higher. See Figure 8.1.
- Use 3 screws to attach the section of inlet air vent to the inlet collar on the collar slide plate and seal with stove cement rated for continuous exposure to 649 °C (1200 °F) or higher. See Figure 8.1. NOTE: The collar slide plate may be removed from appliance to aid installation.

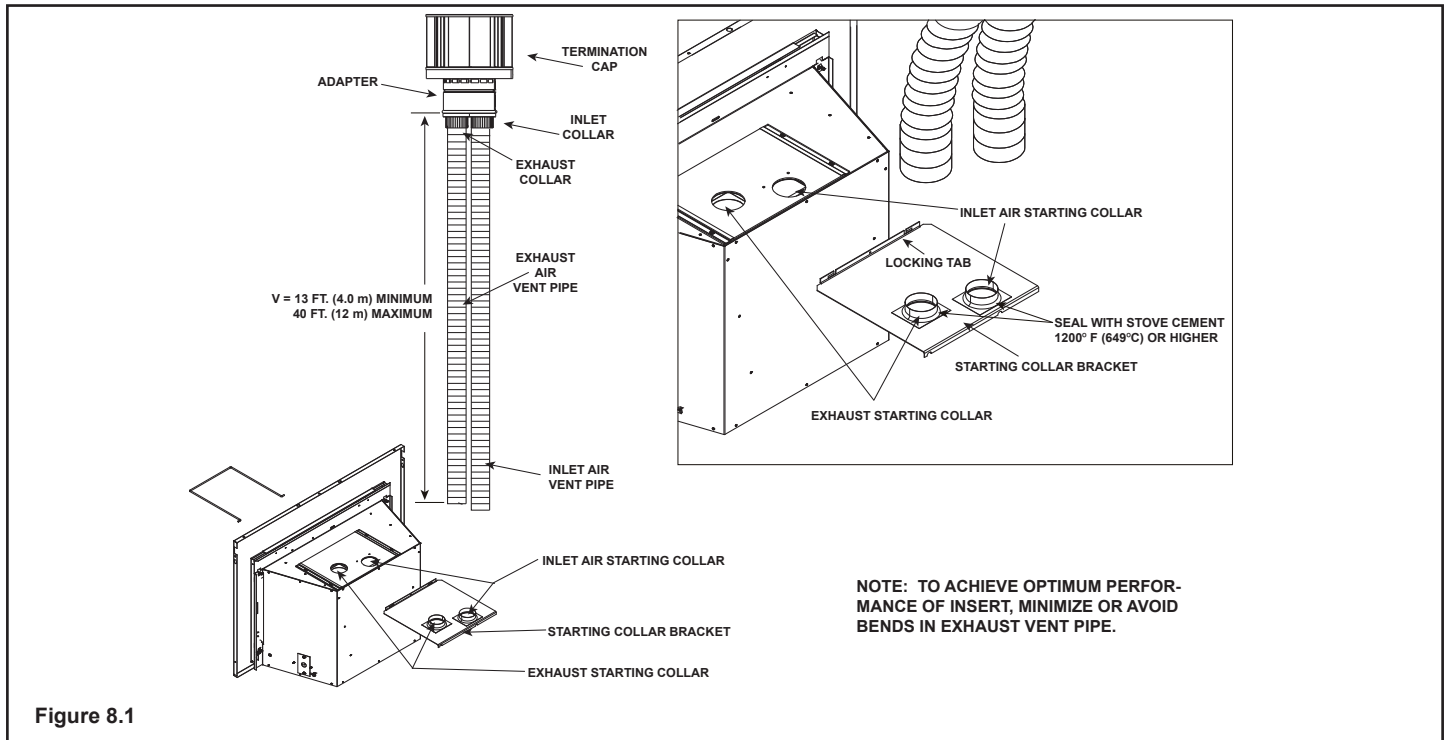
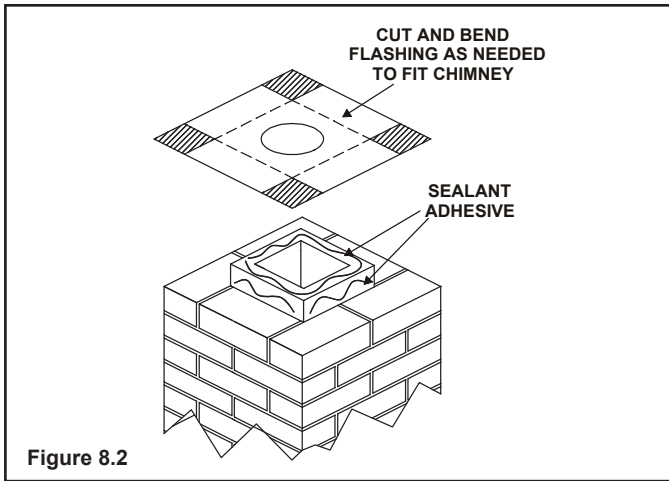


Figure 8.1



- Trim chimney top plate to minimize excess overhang or bend over flue tile (see Figure 8.2).
- Place 3/8 in. (10 mm) bead of 149 °F (300 °F) silicone on flue tile top. See Figure 8.2.

D. Placing, Securing and Leveling the Appliance

WARNING! Risk of Explosion/Combustion Fumes!
Connect vent sections per installation instructions.

- Connect exhaust vent pipe **ONLY** to exhaust starting collar and termination cap center collar.
- Connect inlet air vent **ONLY** to inlet air collar on appliance and the termination cap inlet air collar.
- **DO NOT** allow vent to sag below connection point to appliance.
- Remove rear leveling legs from shipping position and relocate to one of the positions shown in Figure 8.3. Remove both screws that secure the leveling leg to the side of the appliance. Turn the leveling leg around so that the foot is facing out and downward. Line up the two holes on the leg with the holes on the appliance and secure with screws. See Figure 8.3.
- Install insert (without surround attached) into existing fireplace while pulling collar slide plate forward.
- Install gas line into hole provided on side.
- If applicable install remote control wires into insert side. See Section 8.E.
- Secure collar slide plate to appliance by placing locking handle into position with locking tabs (see Figure 8.1) and secure with #8 screw.
- Level the appliance from side to side and front to back. Adjust leveling bolts to desired vertical position so appliance is level. Use the leveling bolts included with the manual bag.
- A 1/2 in. (13 mm) gap from the bottom of the appliance to a metal surface is **RECOMMENDED** for optimal fan performance. See Figure 5.1.
- Position any excess flexible vent pipe back up into chimney without sagging. Twist and push flex vent together to shorten.
- Attach surround. Follow instructions for surround installation included with the front.
- Push insert into the opening so that it tightly overlaps the fireplace opening.

WARNING! Risk of Fire! Only an approved *Hearth & Home Technologies* surround may be used to cover integral grills on solid fuel burning fireplaces. No other components such as shrouds, sheetmetal plates, etc., may be used to seal off vents.

WARNING! Risk of Explosion! Failure to position the parts in accordance with these diagrams or failure to use only parts specifically approved with this appliance may result in property damage or personal injury.

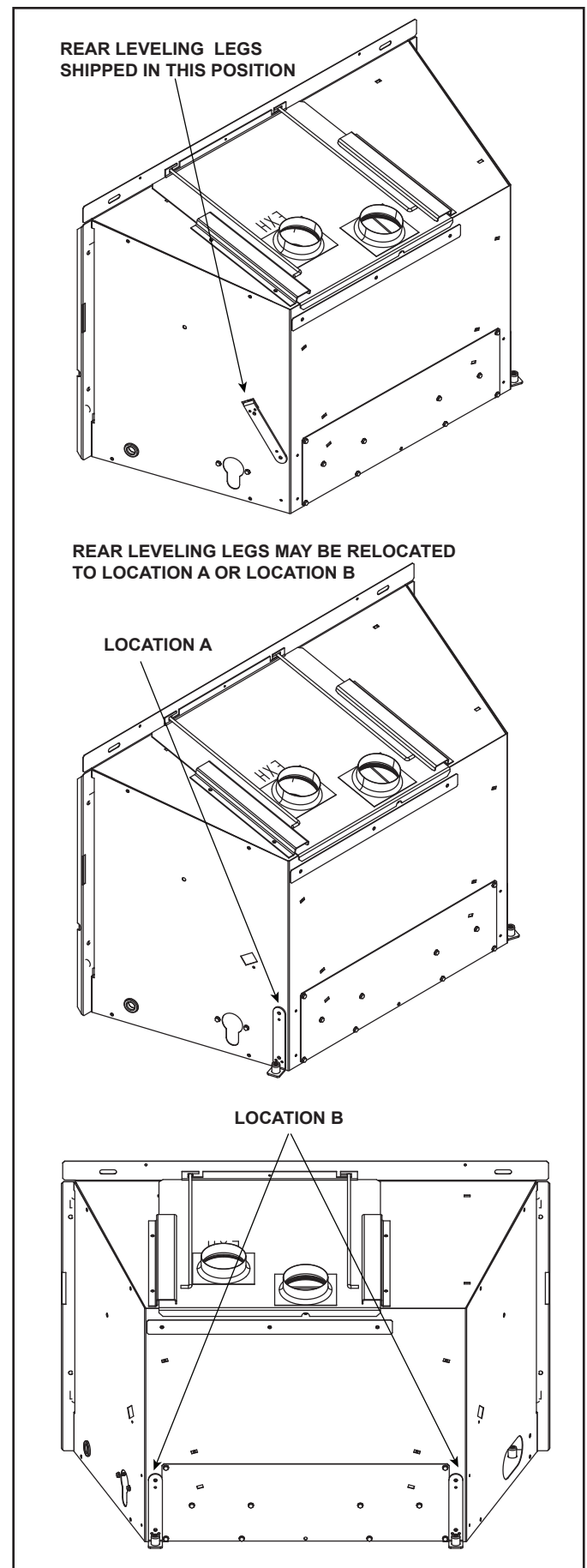
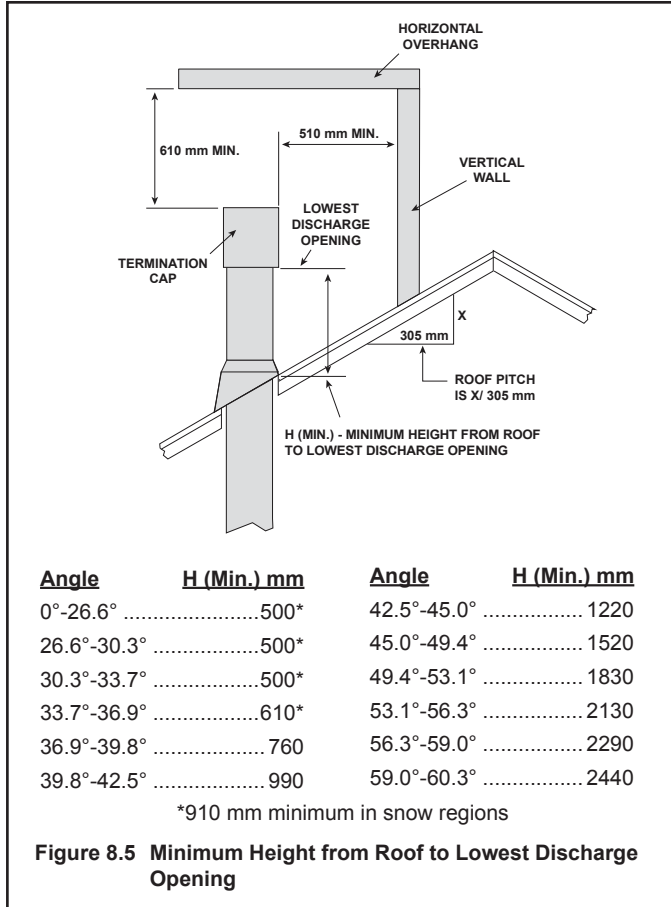


Figure 8.4

E. Installing Adaptor and Termination Cap

For installation of termination cap see minimum vent heights for various pitched roofs (see Figure 8.5).

To install adaptor see Figure 8.8.



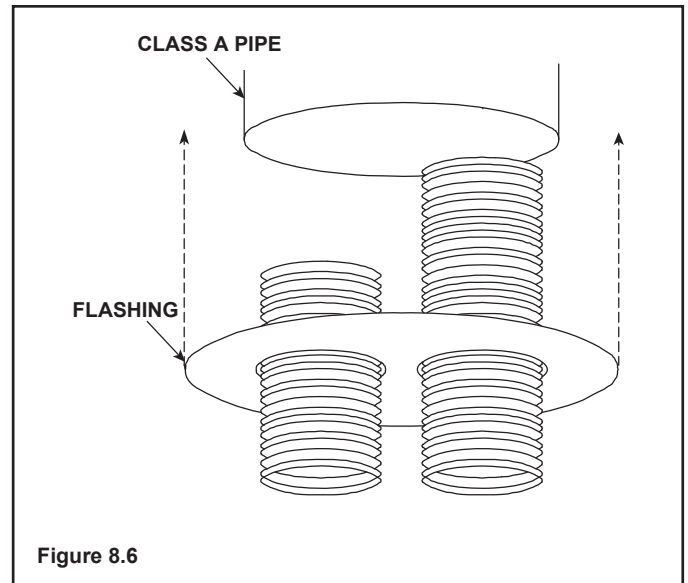
CAUTION! Risk of Cuts/Abrasions/Flying Debris. Wear protective gloves and safety glasses during installation. Sheet metal edges are sharp.

Damper Flashing Kit (Optional)

For use with LINK-DV30B Liner Kit. See Figure 8.6.

Note: Damper may have to be removed to use this kit.

- Run flex liners through 3 in. (76 mm) holes in damper flashing.
- Attach damper flashing to firebox roof with self tapping screws included in kit.



To prevent odors and cold drafts, the chimney must be sealed around the vent with non-combustible blanket insulation or field fabricated metal plates.

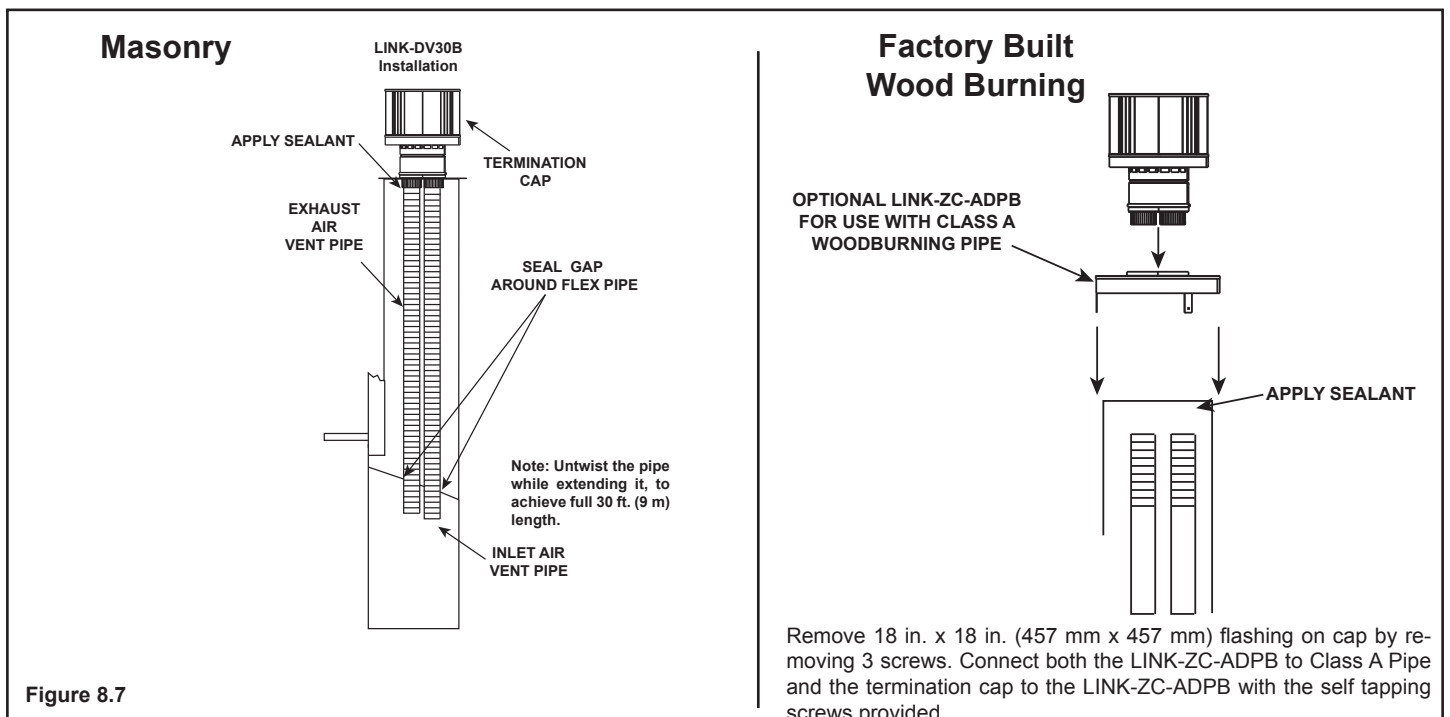


TABLE 1

MODEL	FLUE TERMINATION APPROVAL
SUPREME-N-I30AU, SUPREME-P-I30AU	LINK-DV30B VERTICAL TERMINATION CAP

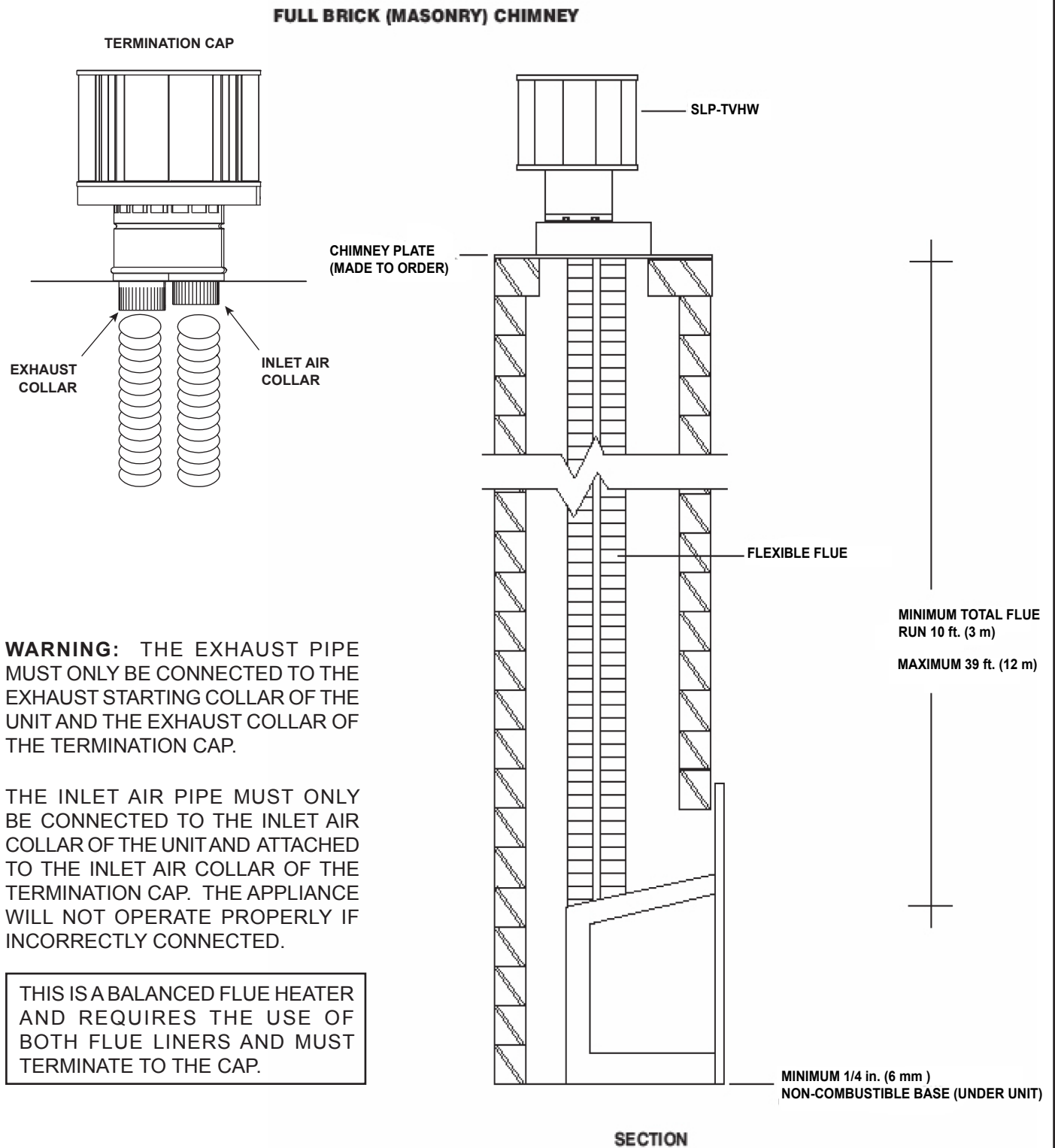


Figure 8.8

F. Vent Kits Components

Direct Vent Flex Liner Accessory Kits (see Figure 8.9).

LINK-DV30B: Masonry 3 in. (76 mm) flex liner kit. Expands to 30 ft. (9 m). Includes: two liners, termination cap, flashing, and link adapter.

Flash-Damp: Zero clearance damper flashing kit for use with the LINK-DV30B liner kit.

LINK-ZC-ADP: Zero clearance chimney adapter

DV-46DVA-GK: Adapter kit. It is permissible to use DV-46DVA-GK to connect collinear flex vent to SL-D vent pipe to extend the run.

FLEX3-30: One 3 in. (76 mm) flexible liner expands to 30 ft. (9 m).

FLEX-CNCT: Connector kit - 3 in. (76 mm) liner to 3 in. (76 mm) liner, one connector per kit.

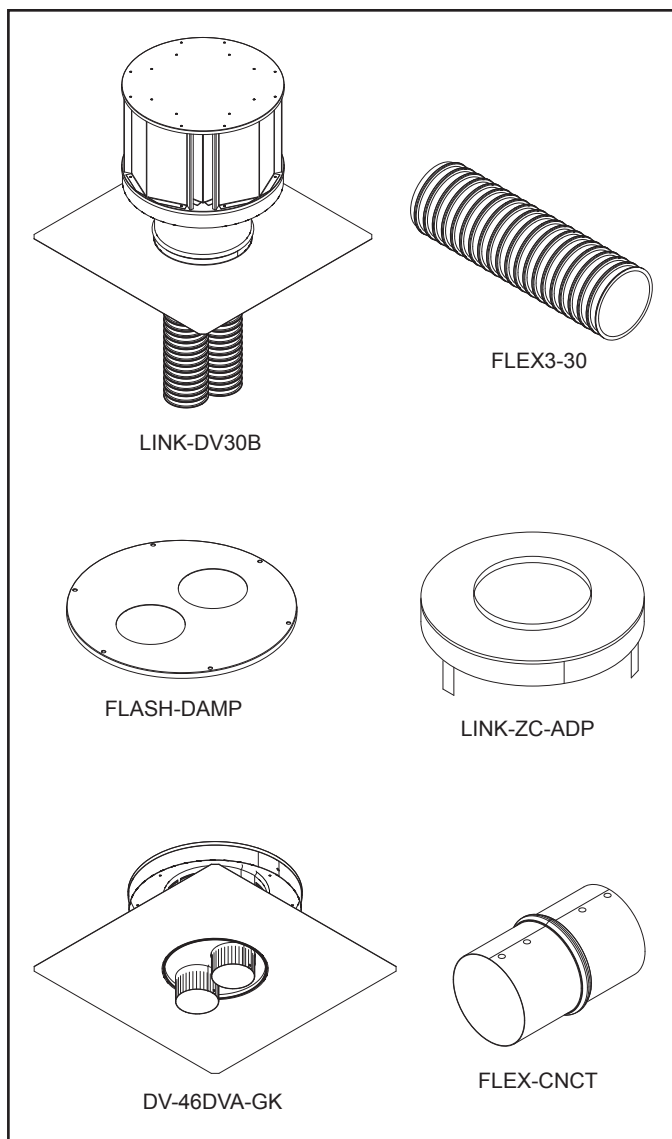


Figure 8.9 Direct Vent Flex Liner Accessory Kits

G. Alternate Venting Configurations Using Adaptation to SLP Venting

This model is approved to use SLP Series flue pipe components. A **SLP-TVHW** vertical Termination Cap must be used for vertical terminations. A SLP-TRAP2 can be used for horizontal terminations.

Approved flue system components are labeled for identification. **NO OTHER FLUE SYSTEMS OR COMPONENTS MAY BE USED.** Detailed installation instructions are included with each flue termination kit and should be used in conjunction with this manual.

WARNING! Risk of Fire! This gas appliance and flue assembly must be flued directly to the outside and must never be attached to a chimney serving a separate solid fuel burning appliance. Each gas appliance must use a separate flue system-common flue systems are prohibited.

WARNING! Risk of Fire! DO NOT apply combustible materials beyond the minimum clearances. Comply with all minimum clearances to combustibles as specified in this manual. Overlapping material could ignite and will interfere with proper operation of doors and louvers.

- Horizontal sections 3 in. (76 mm) from the top of the pipe.
- Horizontal sections 2-1/2 in. (64 mm) at wall shield firestops.
- Horizontal sections 1 in. (25 mm) from sides and bottom of the pipe.
- Vertical sections 1 in. (25 mm) on all sides of pipe.

Failure to keep insulation or other material away from vent pipe may cause over heating and fire.

For alternative installations, other than depicted, contact your dealer for further information.

H. Flue Termination

For Horizontal Terminations using the SLP-TRAP2

To attach and secure the termination to the last section of horizontal flue:

- The rear flue heat shield **MUST** be placed one inch above the top of the flue between the wall shield and the base of the termination cap.
- One section of the heat shield is attached to the wall shield. The other is attached to the termination cap in the same manner (see Figure 8.10).
- The heat shield sections will overlap to match the wall thickness (depth).
- If the wall thickness does not allow the required 1-1/2 inch (38 mm) heat shield overlap, an extended heat shield must be used. The extended heat shield will need to be cut to the thickness of the wall and be attached to the wall shield.
- The small leg in the shield rests on top of the flue to properly space it from the pipe section (see Figure 8.10).

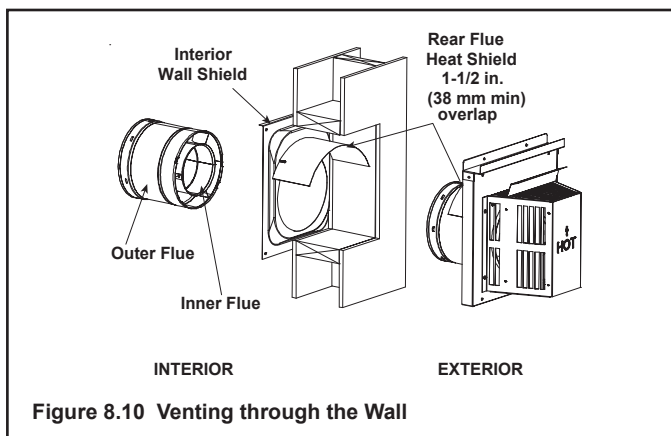


Figure 8.10 Venting through the Wall

- The termination kit should pass through the wall firestops from the exterior of the building.
- Adjust the termination cap to its final exterior position on the building and interlock the flue sections.

WARNING! Risk of Fire! the termination cap must be positioned so that the arrow is pointing up.

- Use a high-temperature sealant gasket to seal between the pipe and exterior firestop.

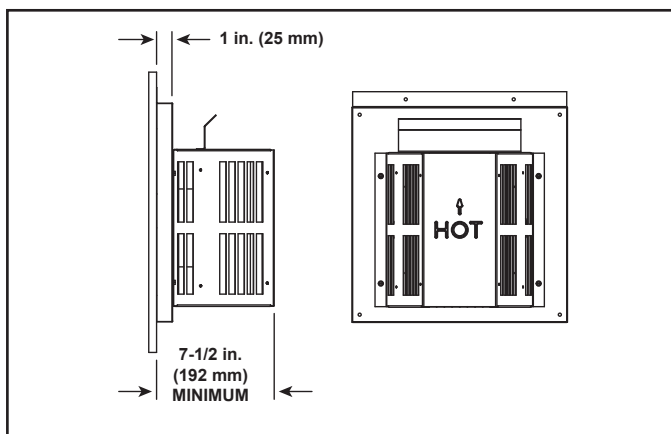


Figure 8.11 Termination Cap

I. Heat Shield Requirements for Horizontal Termination

WARNING! Risk of Fire! To prevent overheating and fire, heat shields must extend through the entire wall thickness.

- **DO NOT** remove the heat shields attached to the wall shield firestop and the horizontal termination cap (shown in Figure 8.10).
- Heat shields must overlap 1-1/2 in. (38 mm) minimum.

There are two sections of the heat shield. One section is factory-attached to the wall shield firestop. The other section is factory-attached to the cap. See Figure 8.12.

If the wall thickness does not allow the required 1-1/2 in. (38 mm) heat shield overlap when installed, an extended heat shield must be used.

- If the wall thickness is less than 4-3/8 in. (111 mm) (SLP), the heat shields on the cap and wall shield firestop must be trimmed. A minimum 1-1/2 in. (38 mm) overlap **MUST** be maintained.
- Use an extended heat shield if the finished wall thickness is greater than 7-1/4 in. (184 mm).
- The extended heat shield may need to be cut to length maintaining sufficient length for a 1-1/2 in. (38 mm) overlap between heat shields.
- Attach the extended heat shield to either of the existing heat shields using the screws supplied with the extended heat shield. Refer to vent components diagrams in the back of this manual.
- Rest the small leg on the extended heat shield on top of the pipe section to properly space it from the pipe section.

Important Notice: Heat shields may not be field constructed.

- Horizontal sections must be supported every 5 ft. (1.52 m).
- Wall shield firestops may be used to provide horizontal support to vent sections.

WARNING! Risk of Fire, Explosion or Asphyxiation! Improper support may allow vent to sag and separate. Use vent run supports and connect vent sections per installation instructions. **DO NOT** allow vent to sag below connection point to appliance.

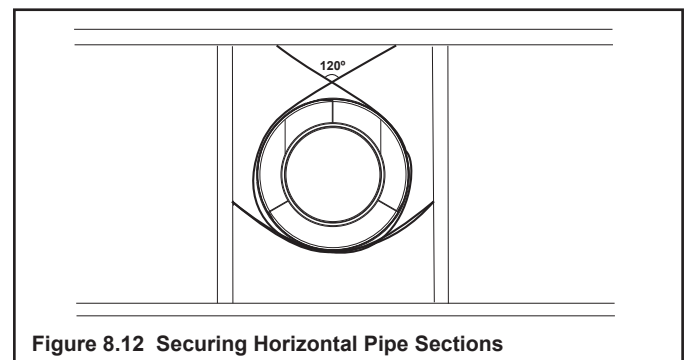


Figure 8.12 Securing Horizontal Pipe Sections

Cap Specification Chart (depth without using additional pipe sections)

	SLP-TRAP2 Rear Vent <u>Depth</u>
Supreme-N-AU Supreme-P-AU	5-1/2 in. (152 mm) to 9-1/2 in. (241 mm)

Note: The header can only be installed in an existing masonry chase or equivalent non-combustible enclosure. Clearances around and above pipe must be adhered to.

Note: Adhere to AS5601 plumbers code for minimum clearances for termination of balanced flue appliances.

HORIZONTAL TERMINATION

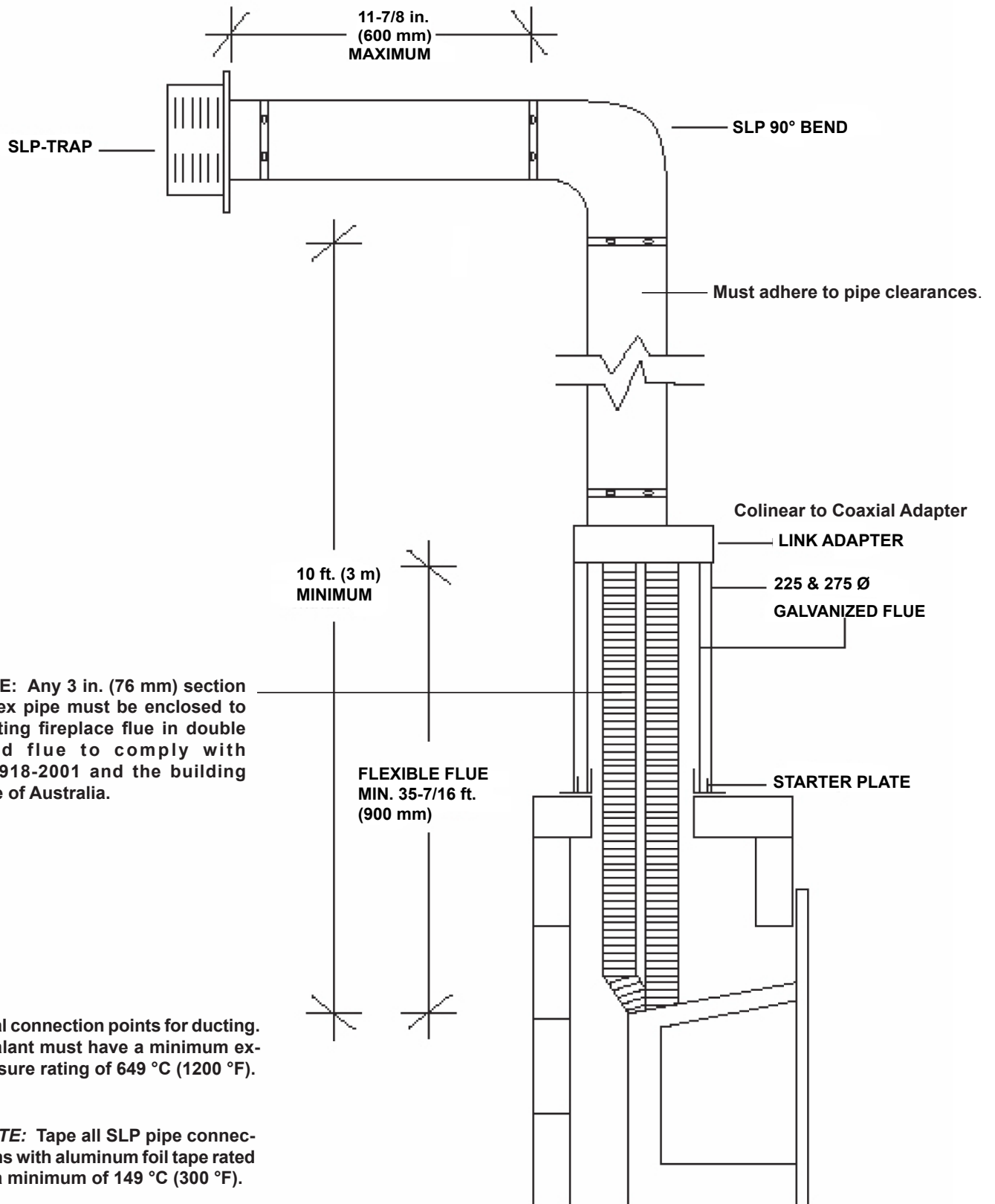


Figure 8.13 Optional SLP venting configuration - Horizontal Termination

CUT-OFF BRICK CHIMNEY

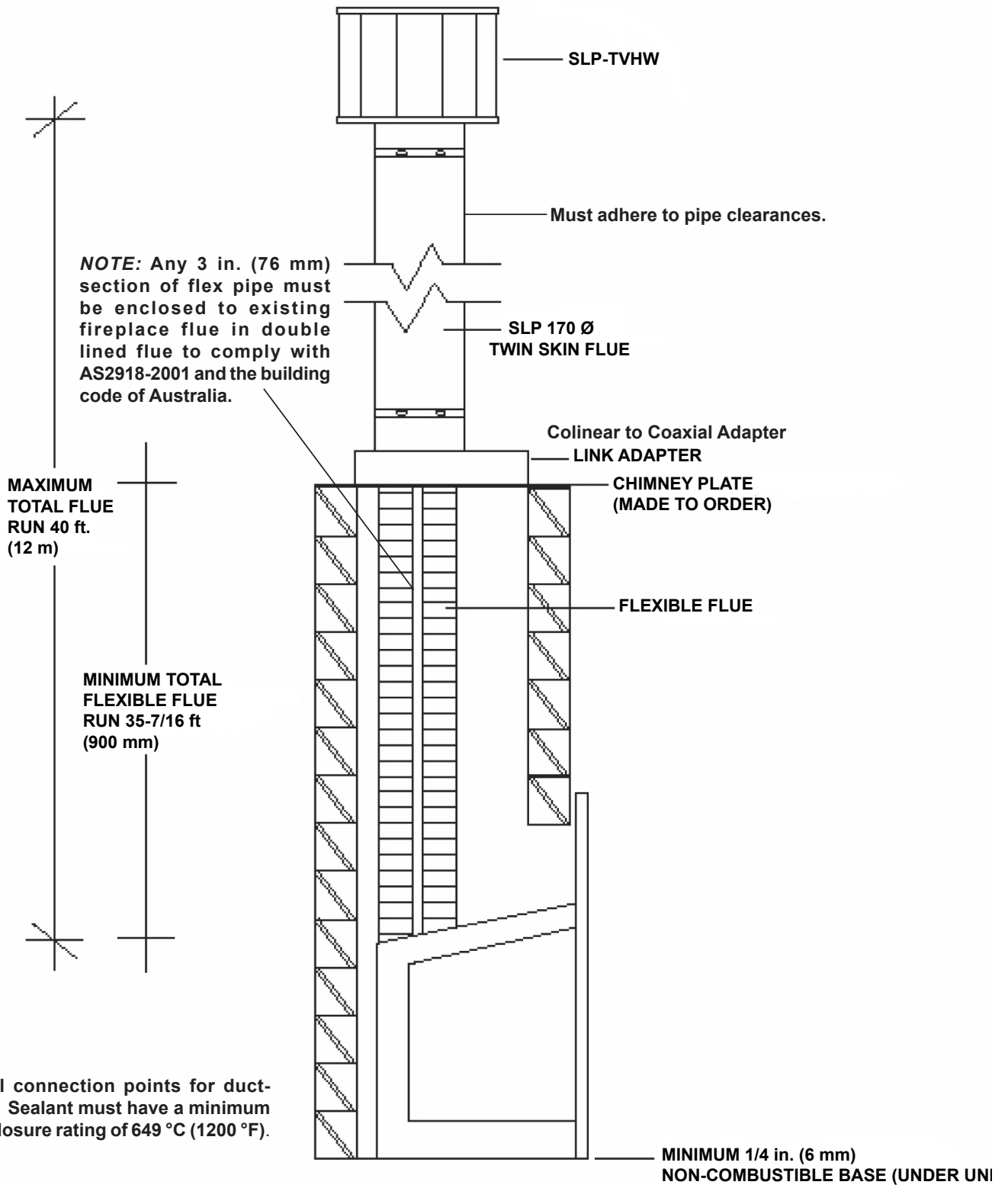


Figure 8.14 Optional SLP Venting Configuration - Vertical Termination

Alternate built-in options:

A	36 in. (914 mm)
B	19 in. (482 mm)
C	26 in. (660 mm)
D	8-1/4 in. (209 mm)
E	12-1/4 in. (311 mm)
F	40 in. (1016 mm)
G	40 in. (1016 mm)

Minimum construction requirements

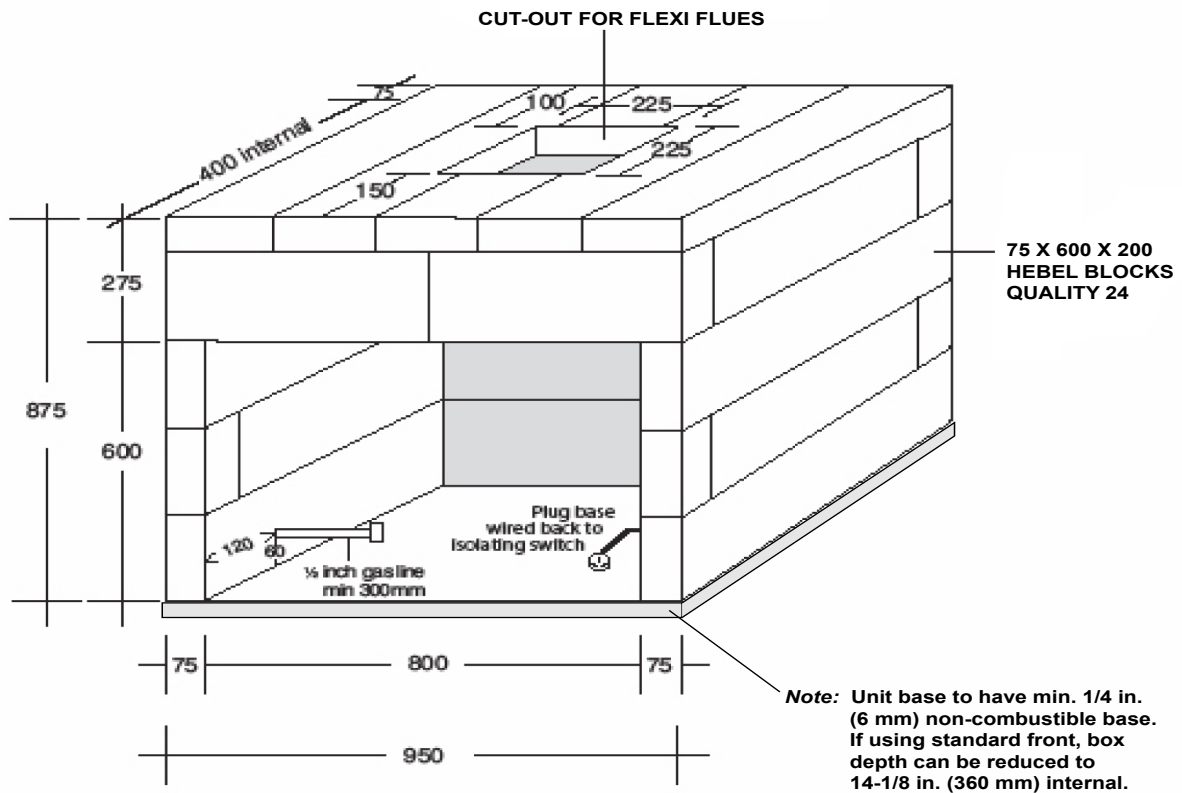


Figure 8.15

FLEXIBLE TO SLP FLUE

A	Clearance to non-combustible back	19 in. (482 mm)
B	Clearance from non-combustible back to combustible material	4 in. (101 mm)
C	Clearance to non-combustible header	26 in. (660 mm)
D	Clearance to non-combustible top	40 in. (1016 mm)

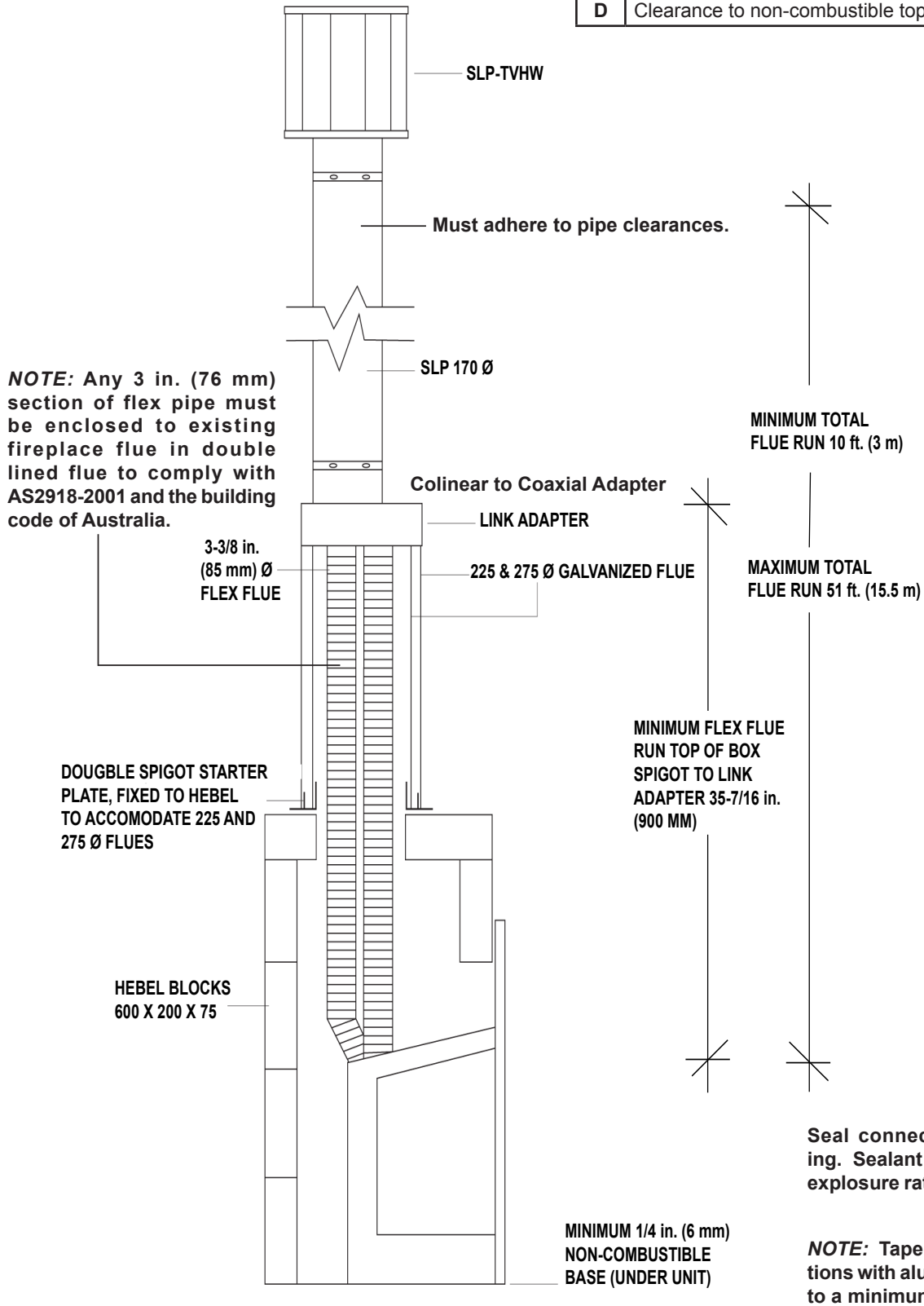
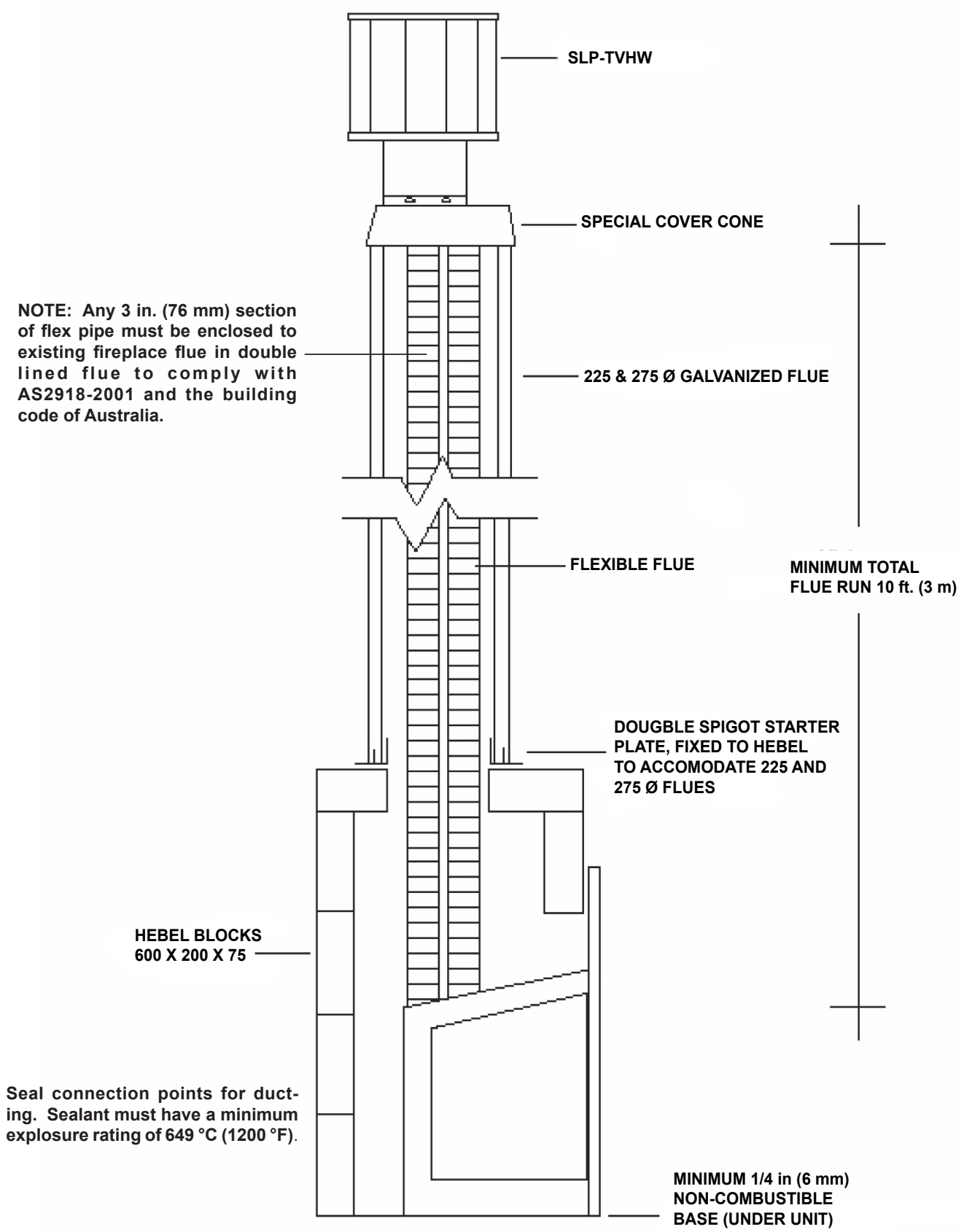


Figure 8.16

FLEXIBLE IN GAL TWIN SKIN



NOTE: Any 3 in. (76 mm) section of flex pipe must be enclosed to existing fireplace flue in double lined flue to comply with AS2918-2001 and the building code of Australia.

Seal connection points for ducting. Sealant must have a minimum exposure rating of 649 °C (1200 °F).

Figure 8.17

FLUE STARTER PLATE

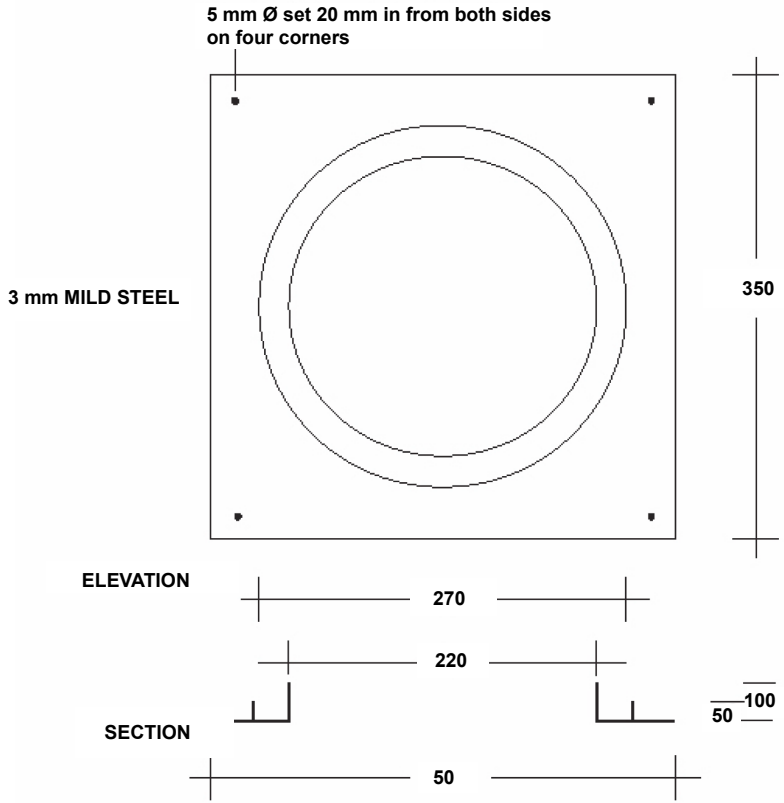


Figure 8.18

9 Gas Information

A. Gas Pressure Requirements

Pressure requirements for Supreme-N-I30AU and Supreme-P-I30AU fireplaces are shown in table below.

Two taps are provided on the front of the gas control for a test gauge connection to measure the inlet and outlet pressures.

The fireplace and its individual shut-off valve must be disconnected from the gas supply piping system during any pressure testing of the system at test pressures in excess of 6 kPa.

If the fireplace must be isolated from the gas supply piping system by closing an individual shut-off valve, it must be of the handle-less type.

⚠ WARNING

Fire Risk
Explosion Risk
High pressure will damage valve.

- Disconnect gas supply piping BEFORE pressure testing gas line at test pressures above 6 kPa.
- Close the manual shutoff valve BEFORE pressure testing gas line at test pressures equal to or less than 6 kPa.

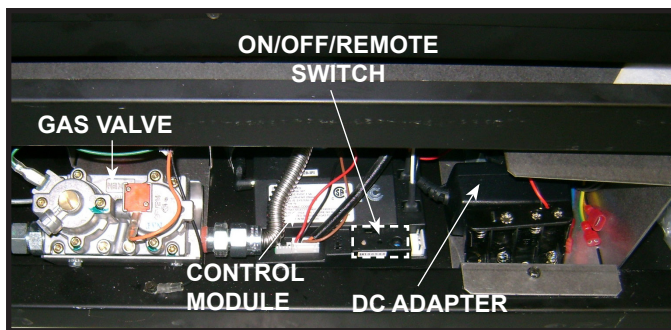


Figure 11.1. Valve Components

B. Gas Connection

Note: Have the gas supply line installed in accordance with local building codes by a qualified installer approved and/or licensed as required by the locality.

	Natural Gas	Propane
Inlet Gas Pressure	1.13 - 3.40 kPa	2.75 - 3.40 kPa
Outlet (Manifold) Gas Pressure	.80 - .95 kPa	2.36 - 2.61 kPa
Maximum Gas Consumption	31.9 MJ/h	30.9 MJ/h
Burner Injector	DMS 36 (2.70 mm)	DMS 52 (1.61 mm)
Pilot Injector	.023	.014

An in-line regulator **MUST** be installed if the gas pressure exceeds **3.40 kPa**. Failure to install a regulator could damage valve.

Note: Before the first firing of the appliance, the gas supply line should be purged of any trapped air.

Note: Consult local building regulations to properly size the gas supply line leading to the (Rp 1/2 in.) hook-up at the unit.

Incoming gas line should be piped into the valve compartment and connected to the ISO 7-Rp 1/2 (BSP Rp 1/2) threaded gas inlet connection on the manual shutoff valve.

IMPORTANT NOTICE: (Items 1, 2 and 3 applies to ALL Heat & Glo gas appliances)

1. **1/2 in. GAS LINE:** Run through cavity 70 mm above finished hearth level, **NOT RIGID, NOT CLIPPED**, with minimum 500 mm into cavity and 120 mm back from plaster face.
2. **PVC (COMPOSITE) GASLINE** must terminate minimum 500 mm short of gas heater. Copper pipe **MUST** be the final connection to the gas heater.
3. **ISOLATING SWITCH:** Location within 1 metre of fireplace, subject to mantelpiece etc. Check to ensure it remains clear of any mantelpiece installation.

Leak test all gas line points and the gas control valve prior to and after starting the gas appliance.

⚠ WARNING

CHECK FOR GAS LEAKS

Explosion Risk
Fire Risk
Asphyxiation Risk

- Check all fittings and connections.
- Do not use open flame.
- After the gas line installation is complete, all connections must be tightened and checked for leaks with a commercially-available, non-corrosive leak check solution. Be sure to rinse off all leak check solution following testing.

Fittings and connections may have loosened during shipping and handling.

10 Electrical Information

A. Wiring Requirements

NOTICE: This appliance must be installed by a qualified electrician in accordance with the relevant national and local regulations.

- Wire the appliance junction box to 220-240 VAC. This is required for proper operation of the appliance.

WARNING! Risk of Shock or Explosion! DO NOT wire 220/240 VAC to the valve or to the appliance wall switch. Incorrect wiring will damage controls.

NOTICE: The main supply to the appliance must have isolation of a minimum 1/8 in. (3 mm) contact separation in both poles.

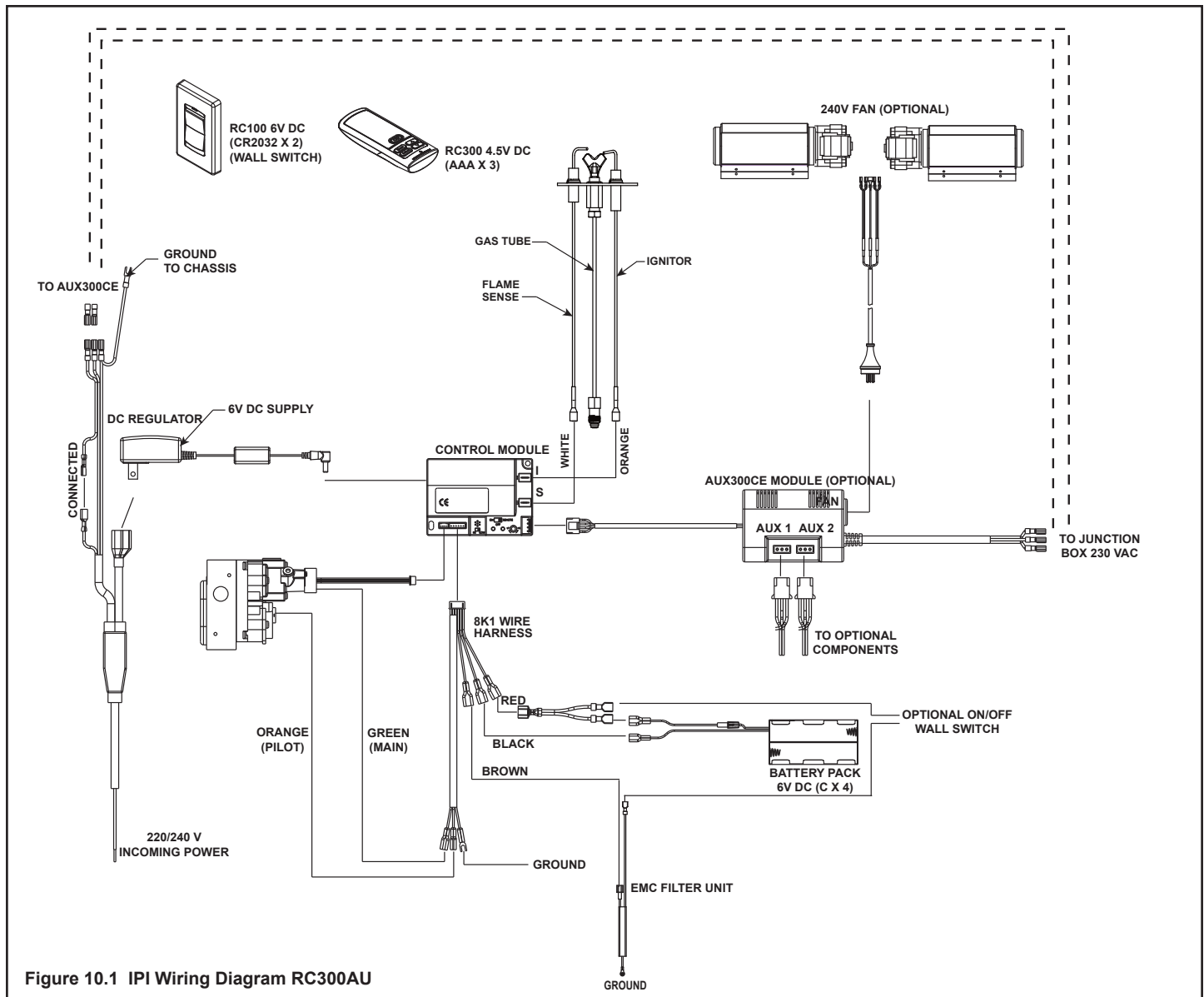
WARNING! Risk of Injury! The gas supply shall be shut off prior to disconnecting the electrical power and removing batteries (if installed) before proceeding with any maintenance to the appliance.

B. IntelliFire Plus™ Ignition System Wiring

- Wire the appliance junction box to 220-240 VAC for proper operation of the appliance.

WARNING! Risk of Shock or Explosion! DO NOT wire IPI controlled appliance junction box to a switched circuit. Incorrect wiring will override IPI safety lockout.

- Refer to Figure 10.1, IPI Plus Wiring Diagram.
- This appliance is equipped with an IntelliFire Plus™ control valve which operates on a 6 volt/1.5 AMP system.
- Plug the 6 volt transformer plug into the appliance junction box to supply power to the appliance OR install 4 C cell batteries (not included) into the battery pack before use.
- An in-line isolation switch (per AS5601) must be installed within 1 meter of the fireplace. This is required for servicing and/or resetting the control module in the event of a control module LOCK-OUT.



→ Figure 10.1 IPI Wiring Diagram RC300AU

C. Optional Accessories Requirements

- This appliance may be used with a wall switch, wall mounted thermostat and/or a remote control.
- To connect optional accessories, the supplied cord assembly should be used. See attached Figure 10.2 for a wiring diagram for a blower or remote.

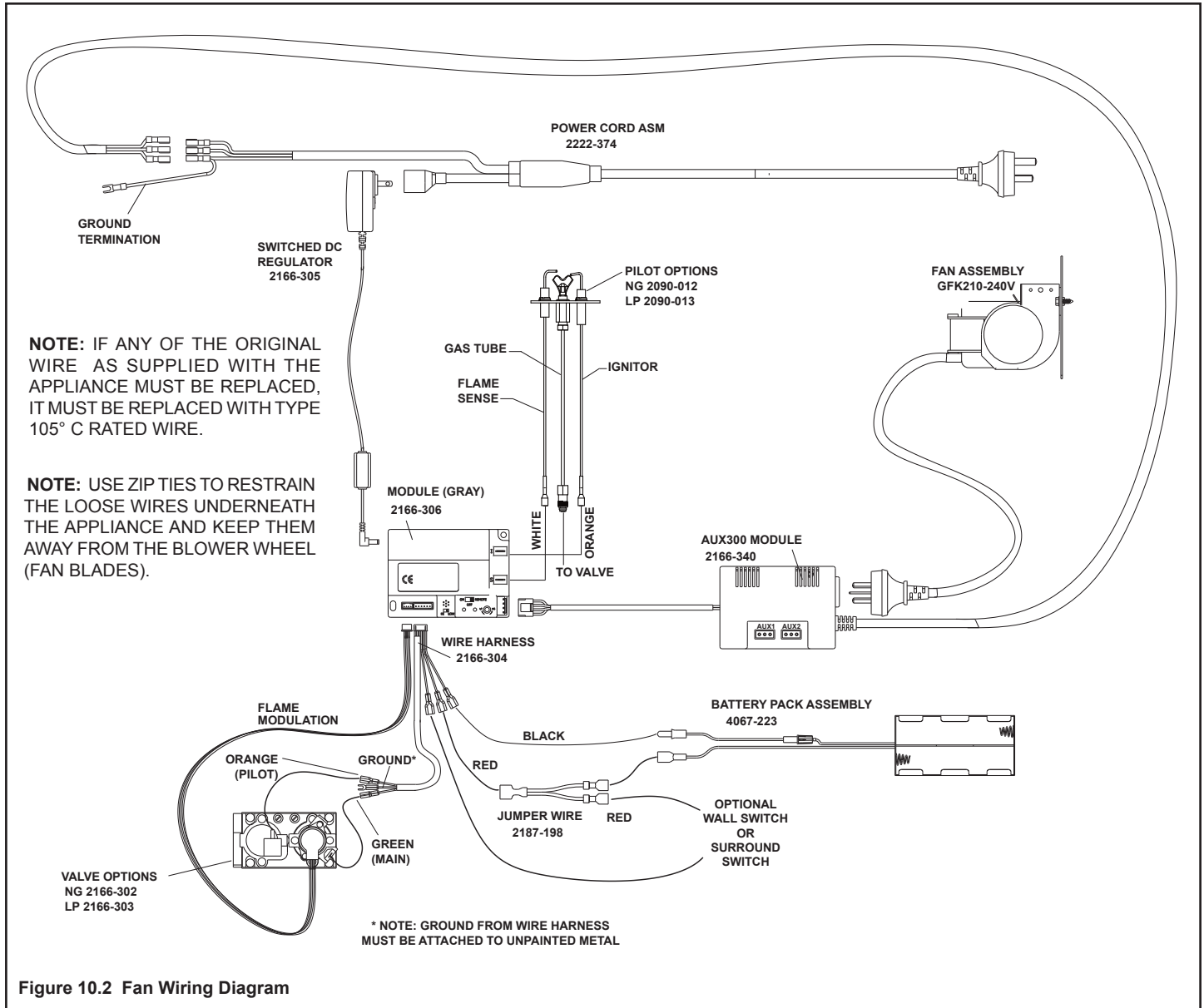
Wiring for optional Hearth & Home Technologies approved accessories should be done now to avoid reconstruction. Follow instructions that come with those accessories.

- Plug the cord into a convenient outlet.
- Must use cord supplied.

- An IntelliFire Plus™ Wireless Control or WSK-21 wired wall switch may be used with the IntelliFire Plus™ Ignition System.
- A standard ON/OFF switch is compatible.

WARNING! Risk of Shock! Label all wires prior to disconnection when servicing controls. Wiring errors can cause improper and dangerous operation. Verify proper operation after servicing.

WARNING! Risk of Shock! Replace damaged wire with type 105 °C (221 °F) rated wire. Wire must have high temperature insulation.



➔ Figure 10.2 Fan Wiring Diagram

D. REM300-HNG-AU Instructions

Hearth & Home Technologies disclaims any responsibility for, and the warranty will be voided by, the following actions:

- Installation and use of any damaged system component.
- Modification of the system component.
- Installation other than as instructed by Hearth & Home Technologies.
- Installation and/or use of any component part not approved by Hearth & Home Technologies.

Any such action may cause a fire hazard.

- Read, understand and follow these instructions for safe installation and operation.

Fireplace Specific Information

Standard fireplace features vary. Consult the installation manual for available options.

The included **AUX300CE** receiver provides additional features: Fan control and two Aux functions.

The **REM300-HNG-AU** remote control system functions include: On/Off, Thermostat Mode, Timer Countdown, and Flame Adjustment (for fireplaces with variable flame).

Kit Contents

REM300-HNG-AU

- REM300-HNG-AU Transmitter
- AAA Batteries (3)
- Wall Holder
- Drywall Anchor (2)
- Screws (2)

Introduction

The RC300AU multifunctional remote control is designed to control pilot light, flame height, blower speed, and up to two 220-240VAC auxiliary functions on your gas fireplace. The RC300AU is equipped with thermostat functions which can automatically control the temperature in the room in which it is installed. The control is only for use with the Hearth & Home Technologies IntelliFire Plus™ system (IPI). The AUX300CE module is rated for 220-240VAC, 50-60 Hz, and is required for operation of this remote control device.

Installation Precautions

The installation of this remote control must be performed by a qualified service technician. This remote control is tested and safe when installed in accordance with this installation manual. Do not install any components that may be damaged.

Do not modify, disassemble, or substitute any of the components included with this kit. Installation of this unit must be done by a qualified service technician.

Placement of this remote control may affect performance. An assessment of the space should be done prior to installation for optimum performance.

Determine Location

Determine the location for the remote control. The selected location should be in the same space as the gas fireplace. Never place this unit in a separate room. The remote control must be placed within 30 ft. (9.14 m) of the fireplace but should not be exposed to extreme heat.

The RC300AU is approved for interior installation and should not be used in exterior applications.

- Keep remote control out of reach of children.

FCC Requirements

WARNING! Risk of Fire! Changes or modifications to this unit not expressly approved by the party responsible for compliance could void the user's authority to operate the equipment.

Note: This equipment has been tested and found to comply with the limits for a Class B digital device, pursuant to Part 15 of the FCC Rules and EN298 for multi-functional control. These limits are designed to provide reasonable protection against harmful interference in a residential installation. This equipment generates, uses, and can radiate radio frequency energy and, if not installed and used in accordance with the instructions, may cause harmful interference to radio communications. However, there is no guarantee that interference will not occur in a particular installation. If this equipment does cause harmful interference to radio or television reception, which can be determined by turning the equipment off and on, the user is encouraged to try to correct the interference by one or more of the following measures:

- Reorient or relocate the receiving antenna.
- Increase the separation between the equipment and receiver.
- Connect the equipment into an outlet on a circuit different from that to which the receiver is connected.
- Contact the dealer or an experienced radio TV technician for help.

Changing Temperature Scale

To change the temperature display between Celsius and Fahrenheit, remove the battery cover from the back of the remote control and slide the switch to your desired temperature scale (see Figure 10.3). The screen will automatically change the indicators on the room temperature and set temperature portion.

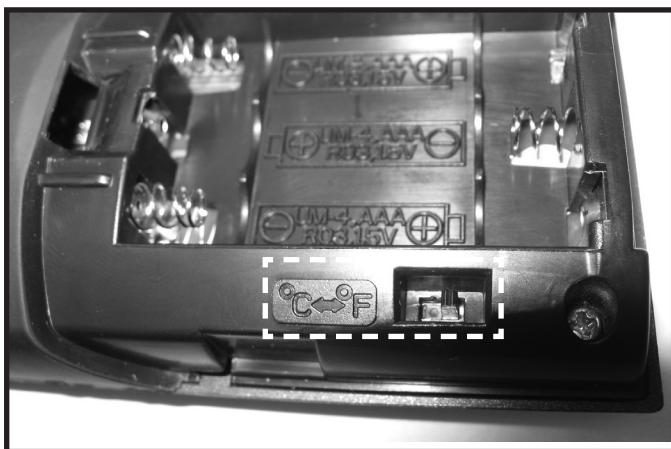


Figure 10.3. Temperature Scale

Installation of Remote Control Housing

CAUTION! Risk of Fire! DO NOT install damaged or modified components. Warranty will be voided if damaged or modified components are installed.

1. Remove remote control components from packaging.
2. Remove battery cover from the back of the remote by sliding it down and install 3 AAA batteries.

To prevent unintended operation when not using your fireplace for an extended period of time (summer months, vacation, trips, etc):

- Remove batteries from remote control.
 - Unplug switching adapter and remove back-up batteries.
3. Secure the remote control housing on a flat wall surface using the two screws and wall anchors provided. See Figure 10.4.

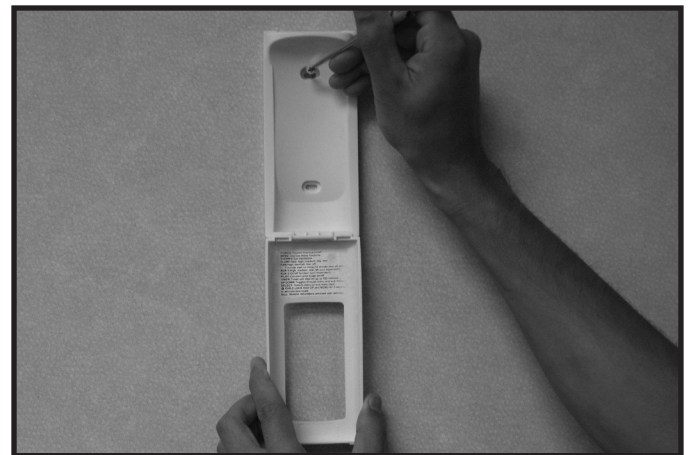


Figure 10.4. Mounting Remote Control Housing

4. Place remote control inside housing. See Figure 10.5.



Figure 10.5. Remote in Housing

5. Close the housing door. See Figure 10.6.



Figure 10.6. Mounting Remote Control Housing

AUX300CE Module Installation

- Insert the 4 hole harness from the AUX300CE module into the 4 pin plug on the control module. See Figure 10.7.

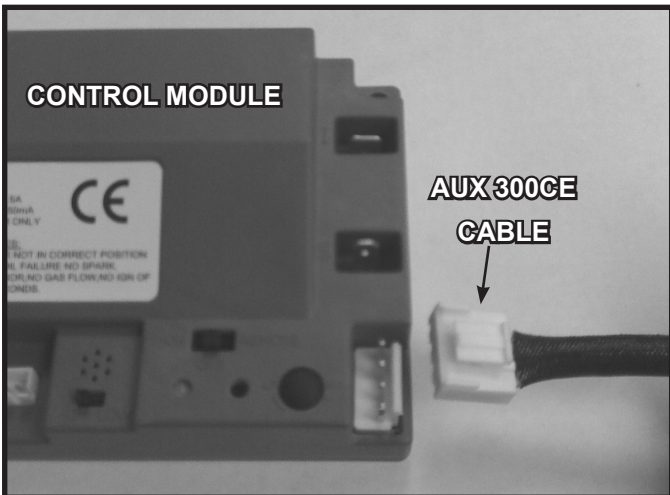


Figure 10.7 AUX 300 Module Installation

Fan Installation

- Insert the 3 prong plug from the fan into the receptacle located in the AUX300CE module. See Figure 10.8.
- Insert 3 prong plug from AUX300CE module into REM/AUX receptacle of fireplace junction box.

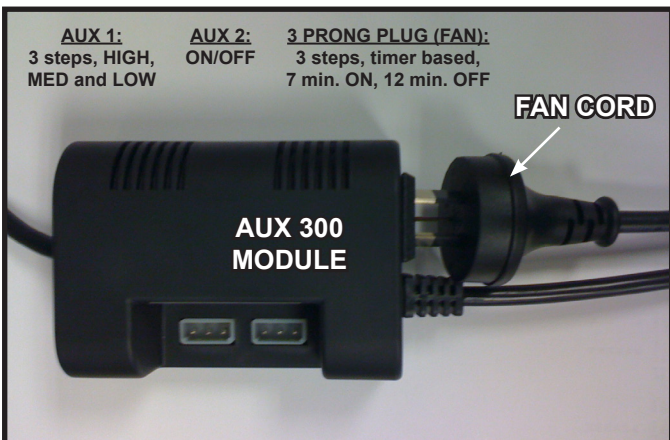


Figure 10.8 Plug Fan into AUX300CE Module

Programming the RC300AU to the Control Module

CAUTION! Risk of burns! DO NOT program the remote control to the control module when fireplace is hot.

- Verify the ON/OFF/REMOTE switch is in the REMOTE position. Green LED light will blink three times and wall switch will beep once 5 seconds later when ready. See Figure 10.9.
- Using a small item (such as a paper clip) press and release the LEARN button located near the ON/OFF/REMOTE switch. See Figure 10.9.
- Control module will beep once and LED will blink green for 10 seconds.
- While the LED is blinking, press the POWER button on the remote control. A double beep will come out of the control module to indicate that it has been programmed successfully.

NOTICE: Up to three remote controls can be programmed into the control module. Simply press a button on the other remote controls during the 10 second programming process to add another remote into the system. It is recommended to program only one RC300AU remote control.

To clear memory in the control module, use a small item (such as a paper clip) to press and release the LEARN button. Control module will beep once and LED will blink green for 10 seconds **DO NOT** press any buttons on the remote during the ten seconds that the green LED blinks. The memory will be cleared. Note that the RC300AU will not be programmed if it's in STANDBY mode. Press the ON/OFF button twice to switch to IDLE mode.

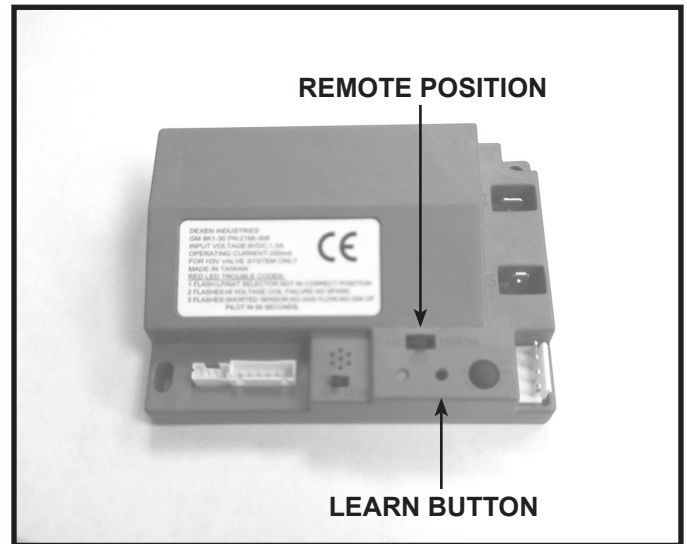
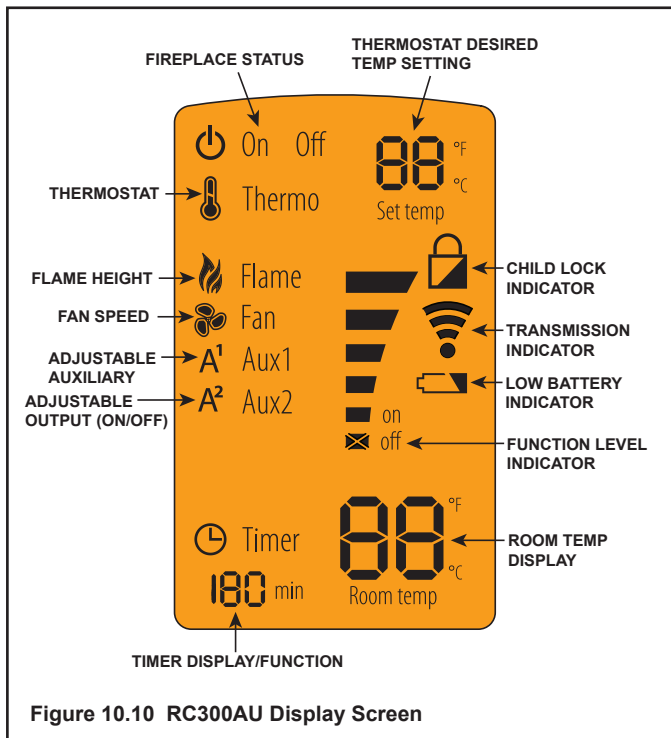







Figure 10.9. Programming RC300AU

Display Screen



Function Buttons

-  Use POWER button to turn the unit on and off.
-  Use MENU button to display the menu functions. Only functions that can be activated will be displayed. *For example: Flame Height will not be displayed when the remote status is OFF.*
-  Use the SELECT button to select the current feature.
-  Use the UP and DOWN arrows to toggle through the menu functions and value selections in the submenus.
- 

Idle When Remote is in ON Mode

The remote control will go into an idle mode if no buttons are pressed within 5 seconds. Press any button to resume full functionality. In idle mode only active functions will show on the screen.



Standby mode

The remote control will go into a standby mode if no buttons are pressed within 5 minutes. Press the POWER button to reactivate the remote control to ON mode. Active functions will be displayed



About ON Mode

- All functions can be accessed when the remote control is in the ON mode.
- Only active functions will be displayed when the remote control is in the ON mode. For example: if the fan is the only function that's active, the fan icon and flame will be the only icon shown in the display.

About OFF Mode

Only the following functions can be accessed in the OFF mode:

- AUX1
- AUX2

Only active functions will be displayed when the remote control is in the OFF mode.

Turning ON the Fireplace

- Press the **POWER** button to turn the fireplace ON. The fireplace will first ignite the pilot. Once the pilot flame is established the main burner will be lit.

NOTICE: Whenever the fireplace is cycled from OFF to ON, the main burner will light on high for 10 seconds before returning to the previous user setting.

Adjusting Flame Height

- Press the **MENU** button to activate the menu.
- Using the **UP** and **DOWN** arrows highlight the **FLAME** icon and press **SELECT**.
- Use the **UP** and **DOWN** arrows to adjust the **FLAME HEIGHT**, then press **SELECT**. The **FLAME HEIGHT** can be adjusted to 5 different settings.

NOTICE: FLAME HEIGHT will not be adjustable for first ten seconds when fireplace is turned on.

NOTICE: The system will remember the previous FLAME HEIGHT setting and will automatically adjust after 10 seconds.

Adjusting Fan Speed

- Press the **MENU** button to activate the menu.
- Using the **UP** and **DOWN** arrows highlight the **FAN** icon and press **SELECT**.
- Use the **UP** and **DOWN** arrows to adjust the **FAN SPEED**, then press **SELECT**. The **FAN SPEED** can be adjusted to 3 different settings: HIGH, MEDIUM, LOW.

NOTICE: The fan has a timer built into the control module. After the fireplace is turned ON the timer will wait for 3 minutes before turning on the fan. In addition, the fan will remain on for 12 minutes after the fireplace has been turned OFF.

NOTICE: Whenever the fan is turned ON, the FAN will start up on the high setting for 10 seconds before adjusting to the previous user setting.

AUX1 Function (Unit dependent Function)

- Press the **MENU** button to activate the menu.
- Using the **UP** and **DOWN** arrows highlight the **AUX1** icon and press **SELECT**.
- Use the **UP** and **DOWN** arrows to adjust the **AUX1** output, then press **SELECT**. The **AUX1** function can be adjusted to 4 different settings: HI, MED, LOW and OFF.

AUX2 Function (Unit dependent Function)

- Press the **MENU** button to activate the menu.
- Using the **UP** and **DOWN** arrows highlight the **AUX2** icon and press **SELECT**.
- Use the **UP** and **DOWN** arrows to turn the **AUX2 ON** or **OFF**, then press **SELECT**. The **AUX2** function can be either be turned **ON** or **OFF**.

NOTICE: The system will remember the previous AUX1 and AUX2 setting from the menu. However, when the fireplace is turned OFF both AUX1 and AUX2 will be turned off. AUX and AUX2 can be activated when the flame is off from the remote's OFF mode. When the fireplace is turned back ON the AUX1 and AUX2 settings will be restored to the previous ON setting.

Adjusting Thermostat

- Press the **MENU** button to activate the menu.
- Using the **UP** and **DOWN** arrows highlight the **THERMO** icon and press **SELECT**.
- Use the **UP** and **DOWN** arrows to turn the **THERMO ON** or **OFF**, then press **SELECT** (the **SET TEMP** will start blinking). Using the **UP** and **DOWN** arrows select the desired temperature and press **SELECT**.

NOTICE: If the **THERMO** function is on, the **SET TEMP** can be adjusted at any time by pressing the **UP** and **DOWN** arrows.

NOTICE: As the **ROOM TEMP (RT)** approaches **SET TEMP (ST)**, the remote system will automatically adjust the flame height. If the **RT** rises above **ST**, the fireplace will shut down the main burner. After this, the fireplace will turn back on after the **RT** drops below the **ST**.

NOTICE: The system will remember the previous **TEMPERATURE** setting when **THERMOSTAT** mode is cycled **ON** or **OFF**.

NOTICE: If your installation includes an optional wired **ON/OFF** wall switch, it should be in the **OFF** position when using the **RC300AU** in thermostat mode.

Adjusting Timer

- Press the **MENU** button to activate the menu.
- Using the **UP** and **DOWN** arrows highlight the **TIMER** icon and press **SELECT**.
- Use the **UP** and **DOWN** arrows to turn the **TIMER ON** or **OFF**, then press **SELECT**. Using the **UP** and **DOWN** arrows select the desired set time and press **SELECT**. Timer operates in increments of 15, 30, 45, 60, 90, 120 and 180 minutes.

Setting the Child Lock

- Press and hold the **MENU** and **UP** arrow buttons simultaneously for 4 seconds to enable or disable the child lock feature.

NOTICE: No functions will be usable until child lock feature is disabled.

Power Outage

- If fireplace battery backup system **IS** installed at time of power outage, fireplace operation will not be interrupted.
- If fireplace battery backup system **IS NOT** installed at time of power outage, fireplace will shut off. To resume fireplace operation, install battery backup.

NOTICE: Battery polarity must be correct or module damage will occur.

Manual Fireplace Shutoff

In the unlikely event that the remote wall switch malfunctions and will not turn off the fireplace, call your dealer for service assistance. In the meantime, you may choose one of the following actions to turn off the fireplace:

CAUTION! Risk of burns! Fireplace surfaces are hot when operating and during cool down. Use care and wear gloves when opening the front and accessing components inside the fireplace.

Check remote screen for battery level indicator, replace the batteries if low battery is indicated (See Figure 10.10).

The fireplace may be manually shut down by one of the following methods:

Turn off the control module:

- Open or remove the decorative front to access the control module.
- Move switch to **OFF** (See Figure 10.9).

Disconnect power to the control module:

- Open or remove the decorative front to access power cord to the junction box and/or back-up batteries.
- Unplug the control module and/or remove back-up batteries.

Shut off gas to the control:

- Open or remove the decorative front and locate the gas shut-off valve to the left of the gas control.
- Rotate the valve 90 degrees to turn off gas supply.

Turn off power to the fireplace (if back-up batteries are not installed):

- Locate house circuit breaker for fireplace.
- Turn off the circuit breaker.

Frequently Asked Questions/Troubleshooting

Symptom	Possible Cause	Corrective Action
Remote control will not transmit	Batteries	Verify batteries are functional and installed correctly.
	Remote control is in Child Lock mode	Disengage Child Lock mode.
	Buttons not being pressed firmly	Press button firmly for one to two seconds to ensure transmission to module.
Control module will not take commands from remote control	Control module is not in "REMOTE" mode	Ensure module switch is set to REMOTE.
	Control module and remote control are not programmed to each other	The control module will beep when it successfully receives a command. If it does not beep, clear module memory and reprogram wall switch.
	Control module is unplugged. In case of power outage, backup batteries are depleted or missing	If the transmission indicator comes on when power button is pressed, verify that the control module is plugged in the fireplace junction box located in the controls area. Also verify that the batteries are installed in the battery pack.
Fan does not turn on when fireplace is started	Built in time delay	The fireplace must run for three minutes in order for the fan to engage.
Fan does not turn off when fireplace turned off	Built in time delay	The fan will run for twelve minutes after the fireplace is turned off.
Fireplace shuts down after extended periods	Built-in timer	The fireplace will automatically shut down after nine hours of continuous operation if it does not receive a command from the remote.
Fireplace is on but will not shut off with the remote control	External wired wall switch	The fireplace cannot be turned off by remote if an external wired switch is installed and in the ON position. Turn external wall switch to OFF.
	Remote control or control module failure	At control module, turn off fireplace by sliding the ON/OFF/REMOTE switch to OFF. Warning! Risk of Burns! Fireplace is hot. Use caution when accessing module.

11 Finishing

A. Mantel and Wall Projections

WARNING! Risk of Fire! Comply with all minimum clearances to combustibles as specified. Framing or finishing material closer than the minimums listed must be constructed entirely of noncombustible materials (i.e., steel studs, concrete board, etc).

Clearance to combustible material under the insert is 1/4 in. (6 mm). Clearance from top of fireplace opening for combustibles extending 12 in. (305 mm) max. is 12 in. (305 mm).

- Use leveling legs to raise insert minimum 1/4 in. (6 mm) above combustible material or outer wrap of factory built firebox.

Combustible facings must not extend behind the insert surround. For non-combustible material specifications refer to section 1.E.

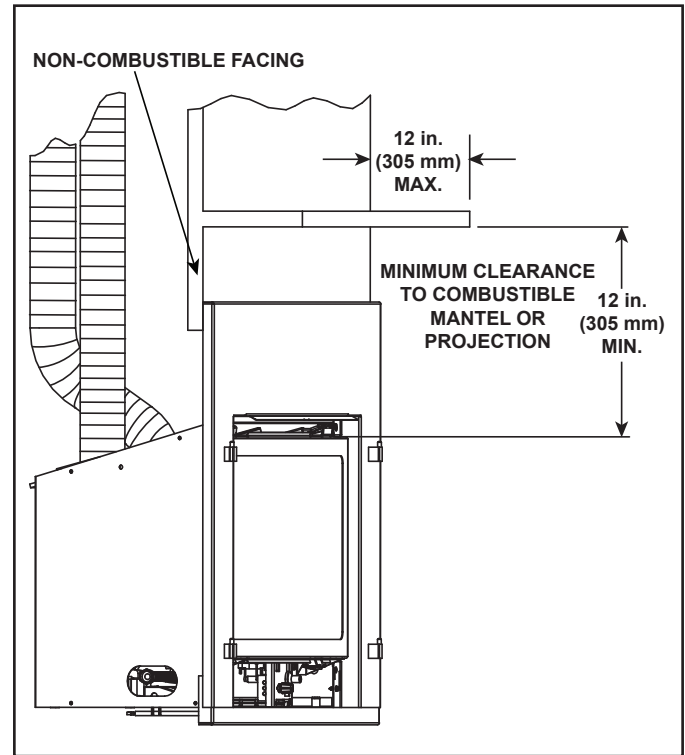


Figure 11.1 Clearances to Mantels or other Combustibles above Appliance

12 Appliance Setup

A. Remove Glass Assembly

See Section 12.H.

B. Remove the Shipping Materials

Remove shipping materials from inside or underneath the firebox.

C. Clean the Appliance

Clean/vacuum any sawdust that may have accumulated inside the firebox or underneath in the control cavity.

D. Accessories

Install approved accessories per instructions included with accessories. Contact your dealer for a list of approved accessories.

WARNING! Risk of Fire and Electric Shock! Use *ONLY* Hearth & Home Technologies-approved optional accessories with this appliance. Using non-listed accessories could result in a safety hazard and will void the warranty.

E. Place the Lava Rock

WARNING! Risk of Explosion! Follow lava rock placement instructions in manual. **DO NOT** place lava rock on burner. Improperly placed lava rock interferes with proper burner operation.

Lava rock is shipped with this gas appliance. To place the lava rock:

- Lava rock **CANNOT** be placed on the burner.
- Place lava rock in front of and to the sides of the burner.

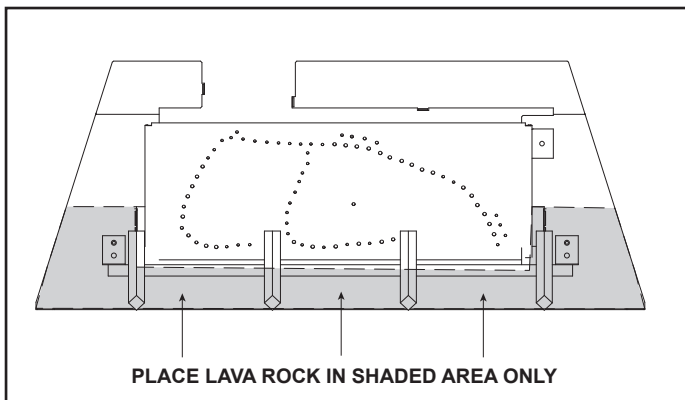


Figure 12.1 Placement of Lava Rock

F. Ember Placement

WARNING! Risk of Explosion! Follow ember placement instructions in manual. **DO NOT** place embers directly over burner ports. Replace ember material annually. Improperly placed embers interfere with proper burner operation.

Ember material is shipped with this gas appliance. To place the ember material:

- Embers **CANNOT** be placed directly over ports. Care should be taken not to cover the lighting trail of ports (from back to front).
- Place 3/8 in. (10 mm) size pieces of Glowing Embers® just in front of the port trail, but not on or in between the ports (see Figure 12.2). Care should be taken so that the ports are not covered. Failure to follow this procedure will likely cause lighting and sooting problems.
- Save the remaining ember materials for use during appliance servicing. The embers provided should be enough for 3 to 5 applications.

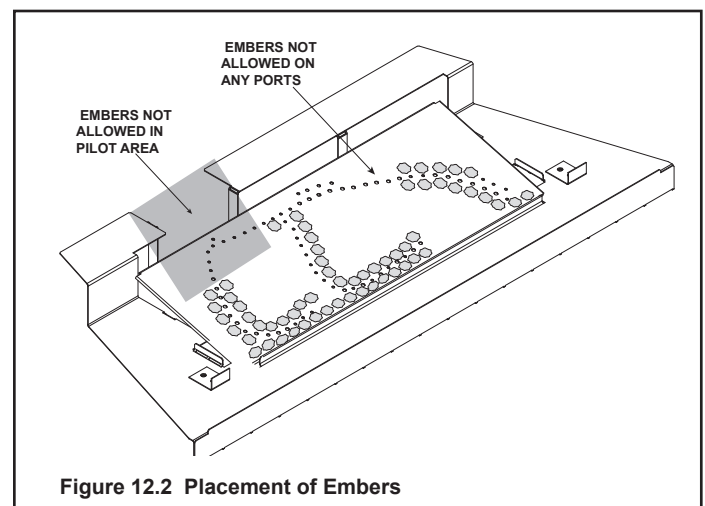


Figure 12.2 Placement of Embers

G. Install the Log Assembly
Log Set Assembly: LOGS-I30

Models: Supreme-I30, Supreme-I30-SP, Supreme-I30AU, Supreme-I30-C

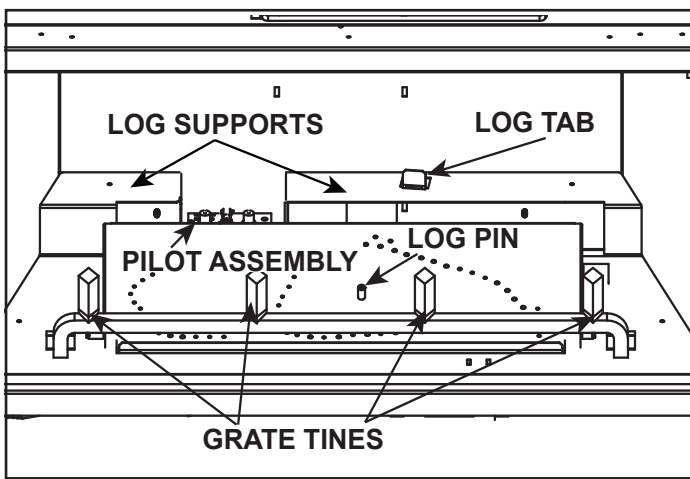


Figure 1.

Figure 2. Install Log #1

CAUTION: Logs are fragile, handle with care. Log #1 (SRV2206-701): Bend the log tab into the upright position as shown in Figure 1. Position Log #1 as shown in Figure 2. The left end of the log should rest on the log support. Mate the right end of the log with the right grate tine. Rotate log clockwise, until the right end of the log engages the right grate tine, and the left end of the log touches the log tab shown in Figure 1.



Figure 3. Log #2

Figure 4. Place Log #2

Log #2 (SRV2206-705): Position Log #2 as shown in Figure 3. Mate the slot located on the bottom of Log #2 (Figure 4) with the log pin located on the surface of the burner. Rotate the right end of Log #2 clockwise, until it comes into contact with the grate tine.

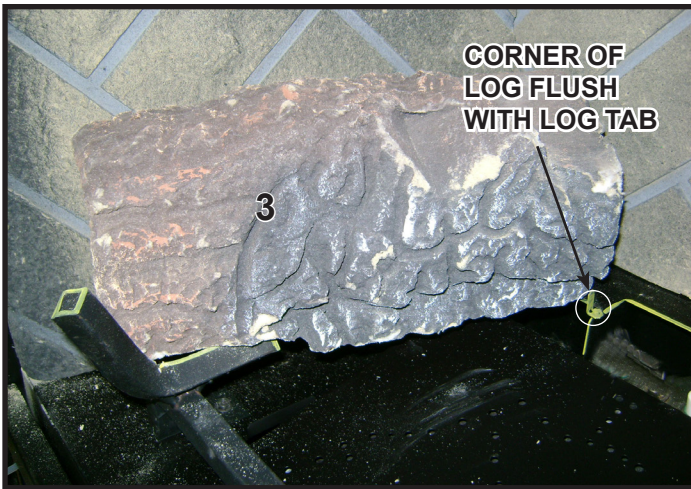


Figure 5. Place Log #3

Log #3 (SRV2206-702): Position Log #3 as shown in Figure 5. Position the grate tine groove, located on the bottom of the log, over the base of the left grate tine. Pull the log forward. The back end of Log #3 rests on the log support. Bend the tab located to the left of the pilot assembly into the vertical position. Rotate the end of Log #3 clockwise until the bottom right corner contacts the log tab.

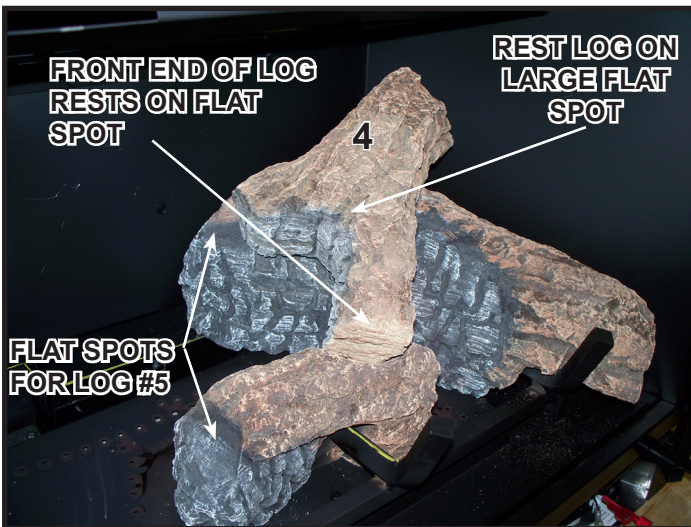


Figure 6. Place Log #4

Log #4 (SRV2206-703): Position Log #4 as shown in Figure 6. See Figure 3 for additional references. Place the thick end of Log #4 on the large flat spot on Log #1. Rest the front end of Log #4 on the flat spot of Log #2.

Log #5 (SRV2206-704): Position Log #5 as shown in Figure 7. See Figure 6 for additional details. Mate the grate tine with the log groove as shown. Position the tips of Log #5 on the flat spots as shown in Figure 6.



Figure 7. Position Log #5

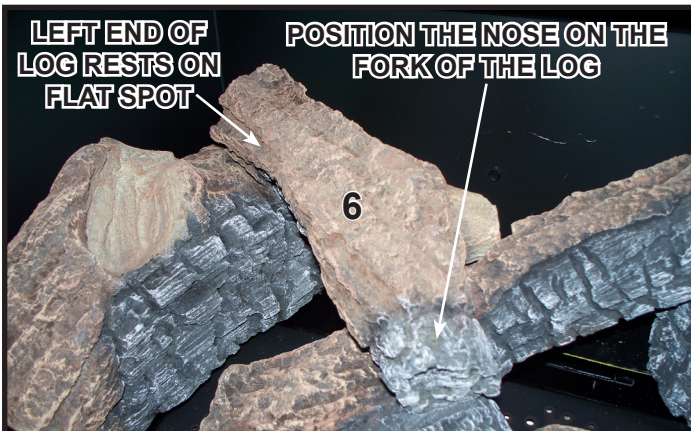


Figure 8. Position Log #6

Log #6 SRV(2206-706): Position Log #6 as shown in Figure 8. See Figure 7 for additional references. Rest the left end of Log #6 on the flat spot of Log #3. Position the nose of Log #6 on the fork of Log #5.



Figure 9. Log Set Installed

H. Fixed Glass Assembly

Removing Fixed Glass Assembly

WARNING! Risk of Asphyxiation! Handle fixed glass assembly with care. Inspect the gasket to ensure it is undamaged and inspect the glass for cracks, chips or scratches.

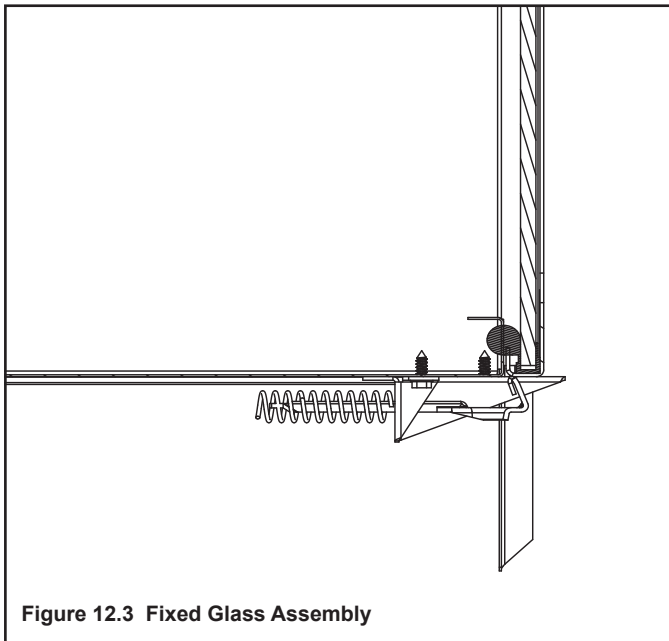
- **DO NOT** strike, slam or scratch glass.
- **DO NOT** operate fireplace with glass removed, cracked, broken or scratched.
- Replace as a complete assembly.

Removing Fixed Glass Assembly

- The glass assembly fastens to the fireplace in four places. Four of the fastening mechanisms are spring-loaded glass latches. An example of the glass latch is shown in Figure 12.3.
- To release glass assembly, pull the two bottom spring-loaded latches forward and allow them to retract away from the glass assembly. Slide the glass assembly outward and downward until the top latches disengage.

Replacing Fixed Glass Assembly

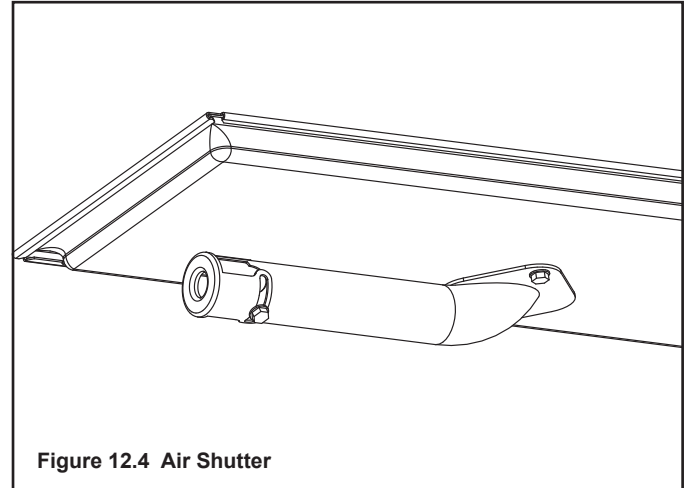
- Tilt glass assembly toward fireplace and slide glass assembly upward to engage top latches. Verify top latches are fully engaged and then fasten the two bottom latches.



I. Air Shutter Setting

Air shutter settings should be adjusted by a qualified service technician at the time of installation. The air shutter is set at the factory for minimum vertical vent run. Adjust air shutter for longer vertical runs. See Figure 12.4.

NOTICE: If sooting occurs, provide more air by opening the air shutter.



Air Shutter Settings

	Natural Gas	Propane Gas
SUPREME-I30AU	9.5 mm	13 mm

J. Decorative Fronts and Surrounds

All fronts come standard with safety mesh

REQUIRED TO COMPLETE INSERT INSTALLATION

FRONTS	
DF-SI30AU-BK	Standard front, flush fit- Black
LIN-SI30AU-BK	Linear front, overlap fit- Black
ARC-SI30AU-BK	Arcadia Firescreen front, overlap fit- Black
HAL-SI30AU-BK	Operable, cabinet, mission styled door, overlap fit- Black
MT-SI30AU-(GT,GY)	Martini front- Graphite or Fog Gray
MT-SI30AU-(RED,EB)	Martini front- High gloss Red or Ebony

BK= Black, GT= Graphite, GY= Fog Gray, RED= High gloss red, EB= High gloss ebony

A dress guard is required for this appliance. The dress guard is fitted to the appliance to reduce the risk of fire or injury from burns and no part of it should be permanently removed. For protection of young children or the infirm, a secondary guard is required

REQUIRED TO COMPLETE INSERT INSTALLATION

Surround for DF, Flush Fit Front only	
SI30-4027DF-BK	Surround, 40-1/8 x 27-1/8 x 1 in. deep - Black 1020 x 690 x 25 mm deep - Black
Surrounds- for Overlap Fronts- Linear, Arcadia, Halston	
SI30-4027AUBK	Surround, 40-1/8 x 27-1/8 x 3/4 in. deep - Black 1020 x 690 x 20 mm deep- Black
SI30-4-4034AUBK	Surround, 4 sided, 40-1/8 x 34 x 3/4 in. deep - Black 1020 x 864 x 20 mm deep - Black
Surrounds - for MT (Martini) Fronts only	
SI30-4027MT-BK	Surround, 40-1/8 x 27-1/8 x 3/4 in. deep - Black 1020 x 690 x 20 mm deep- Black
SI30-4-4032MTBK	Surround, 4 sided, 40-1/8 x 32 x 3/4 in. deep - Black 1020 x 815 x 20 mm deep - Black

BK= Black, GT= Graphite, GY= Fog Gray, RED= High gloss red, EB= High gloss ebony

Refer to the installation instructions supplied with the doors and the surrounds.
Contact dealer for further information.

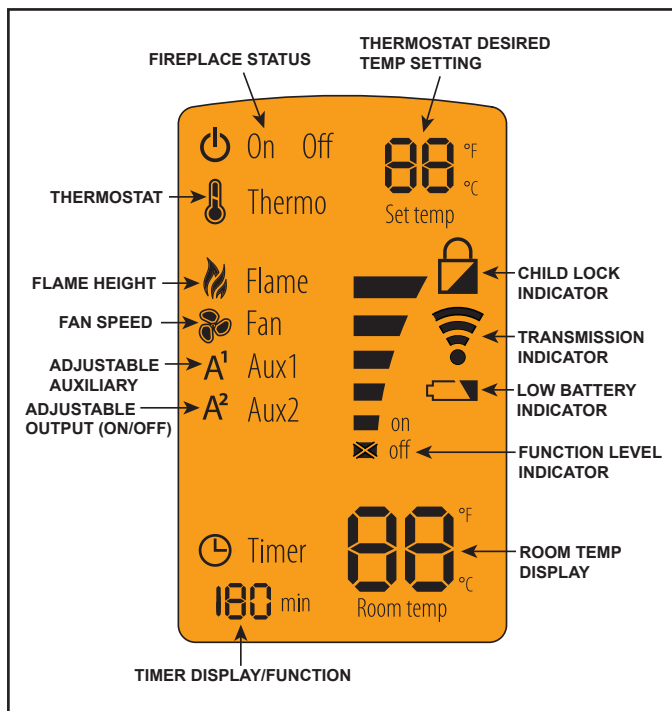
K. Optional Accessories

Firebox Refractory Upgrade	
BRICK-SI30	Refractory kit - traditional brick pattern

Wood	St. Cloud, Covington, Bennington shelf mantels
Cast	Englewood shelf mantel

Control Recommendations - A complete list of compatible controls is available in the Controls section													
	Wall Switch or Remote Control	Ignition system	On/Off	Fan Speed	Flame High/Low	Pilot Activation	AUX Function	Temp Readout	Thermostat Mode	Timer Mode	7-day Programmable	Battery Strength Indicator	Auto Battery Backup
RC100-HNG	Wall/Remote	IPI+	•										•
RC300AU-HNG	Wall/Remote	IPI+	•	•	•	•	•	•	•			•	•

Optional RC300AU Remote



Optional BRICK-SI30 Kit



13 Troubleshooting

With proper installation, operation, and maintenance your gas appliance will provide years of trouble-free service. If you do experience a problem, this troubleshooting guide will assist a qualified technician in the diagnosis of a problem and the corrective action to be taken. This troubleshooting guide can only be used by a qualified technician. Contact your dealer to arrange a service call by a qualified technician.

A. IntelliFire Plus™ Ignition System

Symptom	Possible Cause	Corrective Action
1. Pilot won't light. The ignitor/module makes noise, but no spark.	A. Incorrect wiring.	Verify "S" wire (white) for sensor and "I" wire (orange) for ignitor are connected to correct terminals on module and pilot assembly.
	B. Loose connections or electrical shorts in the wiring.	Verify no loose connections or electrical shorts in wiring from module to pilot assembly. Verify connections underneath pilot assembly are tight; also verify igniter and flame sense wires are not grounding out to metal chassis, pilot burner, pilot enclosure, mesh screen if present, or any other metal object.
	C. Ignitor gap is too large.	Verify gap of igniter to right side of pilot hood. The gap should be approximately .17 in. or 1/8 in. (3 mm).
2. Pilot won't light, there is no noise or spark.	A. No power, transformer installed incorrectly, or depleted batteries.	Verify that transformer is installed and plugged into module. Check voltage of transformer at connection to module. Acceptable readings of a good transformer are between 6.4 and 6.6 volts AC. Battery power supply voltage must be at least 4 volts. If less than 4 volts, replace batteries.
	B. A shorted or loose connection in wiring configuration or wiring harness.	Remove and reinstall the wiring harness that plugs into module. Verify there is a tight fit. Verify pilot assembly wiring to module. Remove and verify continuity of each wire in wiring harness. Replace any damaged components.
	C. Improper wall switch wiring.	Verify that 220/240 VAC power is "ON" to junction box.
	D. Module not grounded.	Verify black ground wire from module wire harness is grounded to metal chassis of appliance.
3. Pilot sparks, but Pilot will not light.	A. Gas supply.	Verify that incoming gas line ball valve is "open". Verify that inlet pressure reading is within acceptable limits.
	B. Ignitor gap is too large.	Verify gap of igniter to right side of pilot hood. The gap should be approximately .17 in. or 1/8 in. (3 mm).
	C. Module is not grounded.	Verify module is securely grounded to metal chassis of appliance.
	D. Pilot valve solenoid.	Verify that 1.5 to 1.8 VDC is supplied to pilot solenoid from module. If below 1.5 volts, replace module. If 1.5 volts or greater, replace valve.

IntelliFire Plus™ Ignition System - (continued)

Symptom	Possible Cause	Corrective Action
4. Pilot lights but continues to spark, and main burner will not ignite. (If the pilot continues to spark after the pilot flame has been lit, flame rectification has not occurred.)	A. A shorted or loose connection in flame sensing rod.	Verify all connections to wiring diagram in manual. Verify connections underneath pilot assembly are tight. Verify flame sense or igniter wires are not grounding out to metal chassis, pilot burner, pilot enclosure or screen if present, or any other metal object.
	B. Poor flame rectification or contaminated flame sensing rod.	With fixed glass assembly in place, verify that flame is engulfing flame sensing rod on left side of pilot hood. Flame sensing rod should glow shortly after ignition. With a multi-meter, verify that current in series between module and sense lead is at least 0.14 microamps. Verify correct pilot orifice is installed and gas inlet is set to pressure specifications. Polish flame sensing rod with fine steel wool to remove any contaminants that may have accumulated on flame sensing rod.
	C. Module is not grounded.	Verify module is securely grounded to metal chassis of appliance. Verify that wire harness is firmly connected to the module.
	D. Damaged pilot assembly or contaminated flame sensing rod.	Verify that ceramic insulator around the flame sensing rod is not cracked, damaged, or loose. Verify connection from flame sensing rod to white sensor wire. Polish flame sensing rod with fine steel wool to remove any contaminants that may have accumulated on flame sensing rod. Verify continuity with a multi-meter with ohms set at lowest range. Replace pilot if any damage is detected.
5. Carbon Deposition	A. Log Placement	Verify placement and assure flame is not excessively impinging on log.
	B. Shutter Setting	Check to assure correct shutter setting for your model and gas type.
	C. Gas Type	Assure correct fuel matches unit gas model and components.

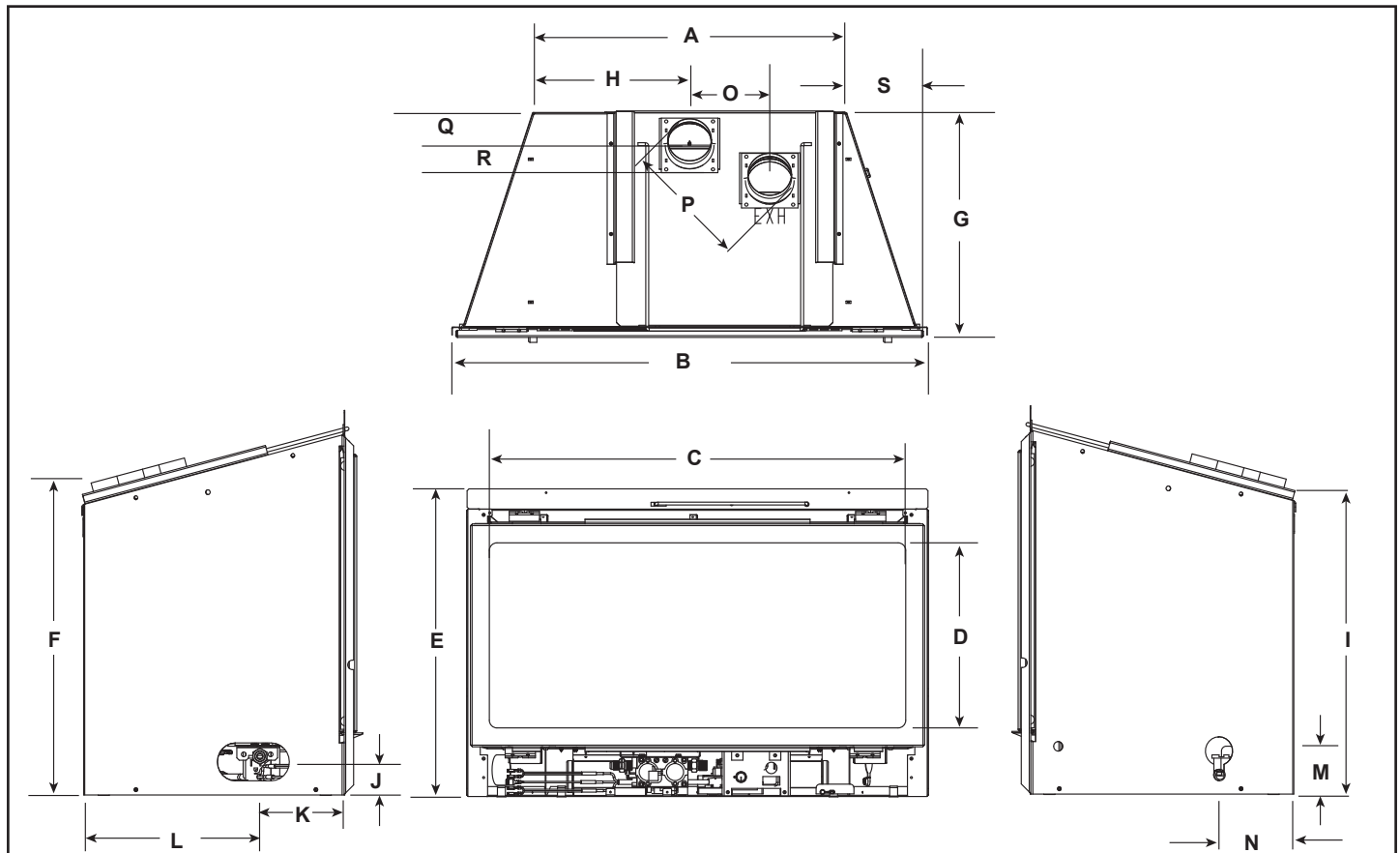
B. Maintenance Tasks

Inspect	Maintenance Tasks
Doors	1. Inspect for scratches, dents or other damage and repair as necessary.
	2. Verify no obstructions to airflow.
	3. Verify maintenance of proper clearance to combustible household objects.
Gasket Seal, Glass Assembly and Glass	1. Inspect gasket seal and its condition.
	2. Inspect glass panels for scratches and nicks that can lead to breakage when exposed to heat.
	3. Confirm there is no damage to glass or glass frame. Replace as necessary.
	4. Verify that latches engage properly, clip studs are not stripped, and glass attachment components are intact and operating properly. Replace as necessary.
	5. Clean glass. Replace glass assembly if severely coated with silicate deposits that cannot be removed.
Valve Compartment and Firebox Top	1. Vacuum and wipe out dust, cobwebs, debris or pet hair. Use caution when cleaning these areas. Screw tips that have penetrated the sheet metal are sharp and should be avoided.
	2. Remove any foreign objects.
	3. Verify unobstructed air circulation.
Logs	1. Inspect for broken, damaged, or missing logs. Replace as necessary.
	2. Verify correct log placement and no flame impingement causing sooting. Correct as necessary.
Firebox	1. Inspect for paint condition, warpage, corrosion or perforation. Sand and repaint as necessary.
	2. Replace appliance if firebox has been perforated.
Burner Ignition and Operation	1. Verify burner is properly secured and aligned with pilot or igniter.
	2. Clean off burner top, inspect for plugged ports, corrosion or deterioration. Replace burner if necessary.
	3. Replace ember materials with new dime-size and shape pieces. Do not block ports or obstruct lighting paths.
	4. Check for smooth lighting and ignition carryover to all ports. Verify there is no ignition delay.
	5. Inspect for lifting or other flame problems.
	6. Inspect orifice for soot, dirt or corrosion.
	7. Verify manifold and inlet pressures. Adjust regulator as required.
	8. Inspect pilot flame strength. Clean or replace orifice as necessary.
	9. Inspect thermocouple/thermopile or IPI sensor rod for soot, corrosion and deterioration. Polish with fine steel wool or replace as required.
Flueing	1. Inspect venting for blockage or obstruction such as bird nests, leaves, etc.
	2. Confirm that termination cap remains clear and unobstructed by plants, etc.
	3. Verify that termination cap clearance to subsequent construction (building additions, decks, fences or sheds) has been maintained.
	4. Inspect for corrosion or separation.
	5. Verify weather stripping, sealing and flashing remains intact.
Remote controls	1. Verify operation of remote.
	2. Replace batteries in remote transmitters and battery-powered receivers.
Carbon Deposition	1. Appliances incorporating a live fuel effect, and designed to operate with luminous flames, may exhibit slight carbon deposition.

14 Reference Materials

A. Appliance Dimension Diagram

Dimensions are actual appliance dimensions. Use for reference only.

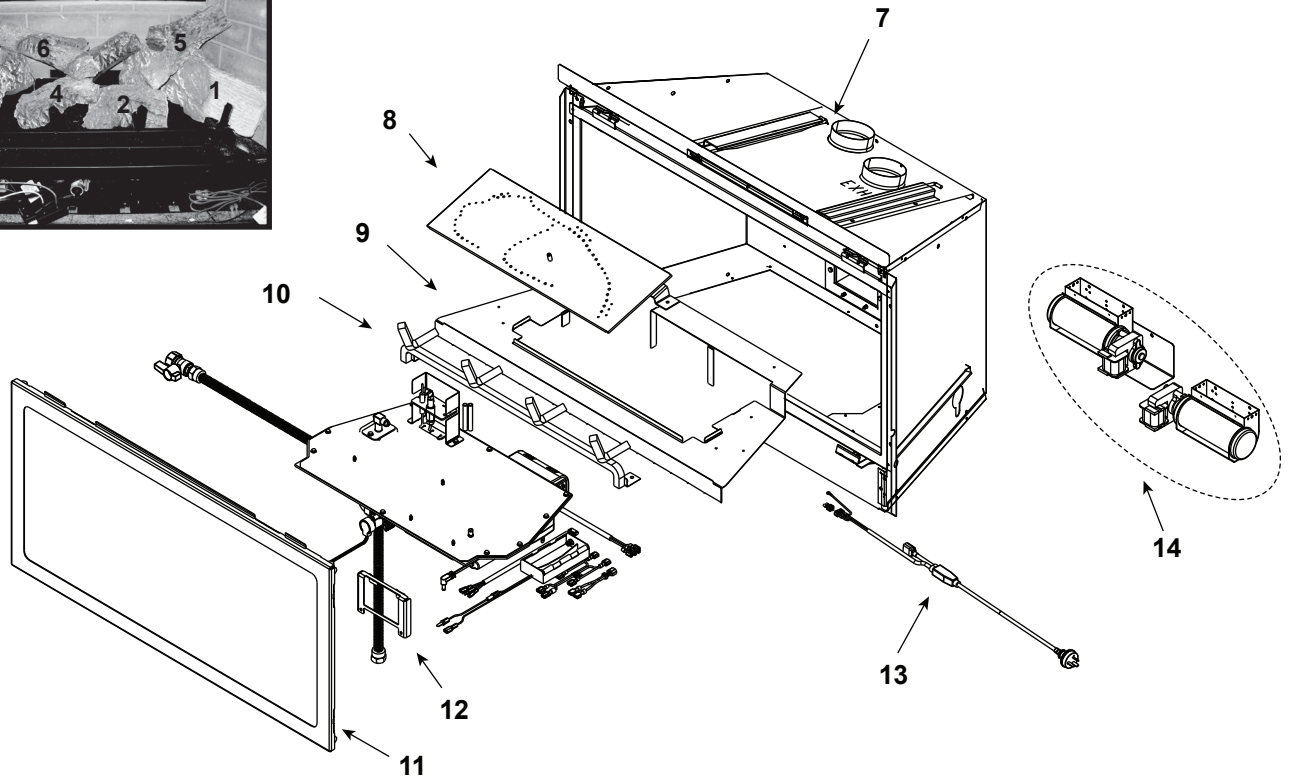


MODEL DIMENSIONS		
Location	SUPREME-I30-AU	
	Inches	Millimeters
A	20-3/16	513
B	30-1/2	775
C	27-7/16	697
D	12-13/16	325
E	20-1/2	521
F	17-5/8	448
G	13-7/8	352
H	10-1/8	257
I	17	432
J	1-3/4	44

MODEL DIMENSIONS		
Location	SUPREME-I30-AU	
	Inches	Millimeters
K	4-13/16	122
L	9	229
M	2-1/4	57
N	3-15/16	100
O	5-3/16	132
P	8	203
Q	1-3/4	44
R	2-1/4	57
S	4-7/16	113

Figure 14.1 Appliance Dimensions

Log Set Assembly

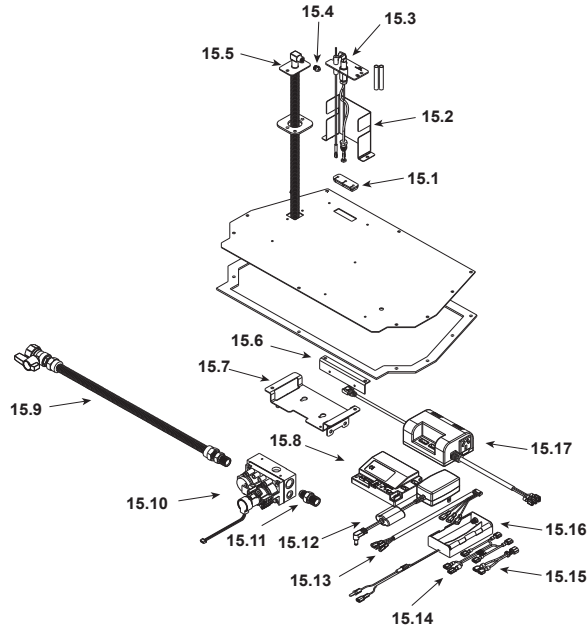


IMPORTANT: THIS IS DATED INFORMATION. When requesting service or replacement parts for your appliance please provide model number and serial number. All parts listed in this manual may be ordered from an authorized dealer.

ITEM	DESCRIPTION	COMMENTS	PART NUMBER
	Log Assembly		LOGS-I30AU
1	Log 1		SRV2222-701
2	Log 2		SRV2222-705
3	Log 3		SRV2222-702
4	Log 4		SRV2222-704
5	Log 5		SRV2222-703
6	Log 6		SRV2222-706
7	Termination Plate Assembly		2206-012
	Flex Pipe Handle		438-351
	Gasket		2206-401
8	Burner Assembly		2206-009
9	Base Pan		2206-106
10	Grate Assembly		2206-016
11	Glass Door Assembly		GLA-2206
12	Control Panel		2222-129
13	Power Cord Assembly		2222-374
14	Blower Assembly		GFK210-240V

Additional service part numbers appear on following page.

→ #15 Valve Assembly



IMPORTANT: THIS IS DATED INFORMATION. When requesting service or replacement parts for your appliance please provide model number and serial number. All parts listed in this manual may be ordered from an authorized dealer.

ITEM	DESCRIPTION	COMMENTS	PART NUMBER
15.1	3-Hole Grommet		2118-420
15.2	Pilot Bracket	Pre June 2012	2206-105
		Post June 2012	2206-120
15.3	Pilot Assembly N	Pre June 2012	2198-014
		Post June 2012	2202-013
	Pilot Assembly P	Pre June 2012	2198-015
		Post June 2012	2202-014
15.4	Orifice N (#36C)		582-836
	Orifice P (#52C)		582-852
15.5	18" Flex Tube Assembly		530-302A
15.6	Control Panel Bracket		2205-128
15.7	Valve Bracket		2205-146
15.8	Module		2166-306
15.9	Flex Ball Valve Assembly		2098-320A
15.10	Valve N		2166-302
	Valve P		2166-303
15.11	Brass Connector	Pkg of 5	303-315/5
15.12	Power Supply Adapter		2166-305
15.13	Wire Harness		2166-304
15.14	Jumper Wire, Remote		2103-013
15.15	Jumper Wire		2187-198
15.16	Battery Pack**		4067-223
15.17	Aux300 CE		2166-340

**Fuse for battery pack can be sourced locally, not a warranty item. Specs are 500mA~10A 3/4" long

Additional service part numbers appear on following page.

B. Service Parts

SUPREME-N-I30AU, SUPREME-P-I30AU

IMPORTANT: THIS IS DATED INFORMATION. When requesting service or replacement parts for your appliance please provide model number and serial number. All parts listed in this manual may be ordered from an authorized dealer.

ITEM	DESCRIPTION	COMMENTS	PART NUMBER
	Gasket Assembly Includes Air Passage, Valve Plate, Exhaust Bottom, Exhaust Top, and Burner Neck Gaskets		2206-080
	Glass Clip Support Assembly, Bottom	Qty 2 req	2155-045
	Glass Latch Assembly, Top	Qty 2 req	339-121A
	Lava Rock		4021-296
	Mineral Wool		050-721
	Refractory Kit (Sold as Set Only)		BRICK-SI30
	Remote		REM300-HNG-AU
	Touch up Paint		TUP-GBK-12
	Conversion Kit N		P2N-I30AU
	Conversion Kit P		N2P-I30AU
	Pilot Orifice N		2098-518
	Pilot Orifice P		2098-512
	Regulator N		NGK-DXV-50
	Regulator P		LPK-DXV-50

C. Contact Information



No one builds a better fire

Heat & Glo, a brand of Hearth & Home Technologies Inc.
7571 215th Street West, Lakeville, MN 55044
www.heatnglo.com

Please contact your Heat & Glo dealer with any questions or concerns.
For the location of your nearest Heat & Glo dealer,
please visit www.heatnglo.com.

- NOTES -

NOTICE



DO NOT DISCARD THIS MANUAL

- Important operating and maintenance instructions included.
- Read, understand and follow these instructions for safe installation and operation.
- Leave this manual with party responsible for use and operation.



This product may be covered by one or more of the following patents: (United States) 5328356, 5601073, 5613487, 5647340, 5890485, 5941237, 5947112, 5996575, 6006743, 6019099, 6053165, 6145502, 6170481, 6374822, 6484712, 6601579, 6769426, 6863064, 7077122, 7098269, 7258116, 7470729 or other U.S. and foreign patents pending.

2000-945

Printed in U.S.A. - Copyright 2012